

# JENN-AIR WINE CHILLER

---

# OWNER'S GUIDE

---

## TABLE OF CONTENTS

Introduction.....	1
Safety .....	2
Installation.....	3-11
Operation.....	12
Features .....	13
Care and Cleaning.....	14
Before Calling for Service .....	15
Warranty.....	17
Guide du propriétaire .....	18
Guía del Propietario.....	35



# Introduction

Congratulations on the purchase of a Jenn-Air Refrigerated Wine Chiller.

We appreciate your purchase decision and feel confident you will be happy with this appliance for years to come. For best results, please read this guide carefully. You will find instructions on the proper operation and maintenance.

Should you ever need our future assistance with your wine chiller, a complete model and serial number recorded in the spaces below will be extremely helpful. These numbers are found on a data plate inside the wine chiller located on the upper left side.

Model Number \_\_\_\_\_

Serial Number \_\_\_\_\_

Purchase Date \_\_\_\_\_

Dealer Name \_\_\_\_\_

Dealer Address \_\_\_\_\_

Dealer Phone \_\_\_\_\_

## What You Need to Know About Safety Instructions

Warning and Important Safety Instructions appearing in this manual are not meant to cover all possible conditions and situations that may occur. Common sense, caution and care must be exercised when installing, maintaining or operating appliance.

Always contact your dealer, distributor, service agent or manufacturer about problems or conditions you do not understand.

## Before Calling for Service . . .

If something seems unusual, please check the “Before Calling For Service” section, which is designed to help solve basic problems before calling a servicer.

## What if These Features are Different from Mine?

This book is intended to show the variety of features that are available in the product line. If you have questions, write us (include your model number and phone number) or call:

Jenn-Air Customer Assistance  
P.O. Box 2370  
Cleveland, TN 37320-2370  
U.S.A and Canada 1-800-JENNAIR  
(1-800-536-6247)  
1-800-688-2080 (U.S.A. TTY for hearing  
or speech impaired)  
(Mon.-Fri., 8 a.m.-8 p.m. Eastern Time)  
Internet: <http://www.jennair.com>

## Recognize Safety Symbols, Words, Labels

### DANGER

**DANGER** – Immediate hazards which **WILL** result in severe personal injury or death.

### WARNING

**WARNING** – Hazards or unsafe practices which **COULD** result in severe personal injury or death.

### CAUTION

**CAUTION** – Hazards or unsafe practices which **COULD** result in minor personal injury.

# Important Safety Instructions

## ⚠ WARNING

- When using your appliance, always follow basic precautions.

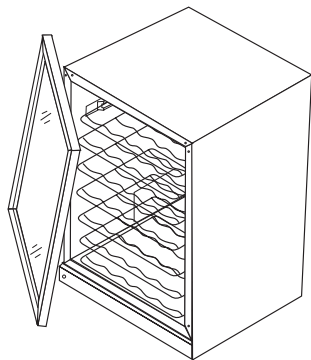
- Use the wine chiller only for its intended purpose.

**NOTE:** This product is not intended for food storage.

- To prevent possibility of hazard due to electrical shock, never plug the wine chiller into a receptacle which has not been grounded adequately and in accordance with the local and national electrical codes. See ⚠ warning and the grounding instructions that follow.
- Disconnect the power cord to the wine chiller before cleaning, servicing or replacing a light bulb.
- In case of power failure, minimize door openings.
- Any electrical service cord that becomes frayed or damaged should be immediately repaired or replaced. Never unplug your appliance by pulling on the power cord.
- To prevent fire hazard, your wine chiller should not be operated in the presence of gasoline or other flammable vapors and liquids.
- To prevent injury, children should not climb, hang or stand on this wine chiller.

**IMPORTANT:** Child entrapment and suffocation are not problems of the past. Junked or abandoned refrigeration products are still dangerous...even if they will sit for "just a few days." If you are getting rid of your old refrigeration products, please follow the instructions below to help prevent accidents.

- Take off the doors.
- Leave the shelves in place so that children may not easily climb inside.



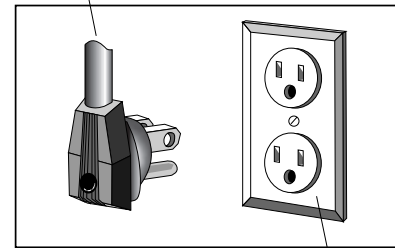
## ⚠ WARNING

- This appliance is designed to operate on a normal 115 volt, 15 amp, 60 cycle line. There should be a separate, grounded circuit serving this appliance only. Do not use an extension cord. Do not use any device that will alter the electrical performance of this appliance.

This appliance is equipped with a three-pronged grounding plug for your protection against possible electrical shock hazards. It must be plugged into a grounding receptacle. Where a standard two-prong wall receptacle is encountered, it is the personal responsibility and obligation of the customer to have it replaced with a properly grounded three-prong wall receptacle. Do not under any circumstances, cut or remove the third (ground) prong from the power cord.

**Do not use an adapter plug.**

Power supply cord with three-prong grounding plug



Grounding type wall receptacle

## ⚠ WARNING

- This wine chiller should not, under any circumstances, be ungrounded.

**Save These Instructions For Future Reference**

# Installation

## Materials Needed

- 1/8" Allen wrench
- 5/16" socket
- Phillips screwdriver
- Putty knife
- Carpenter's level

## Select Location

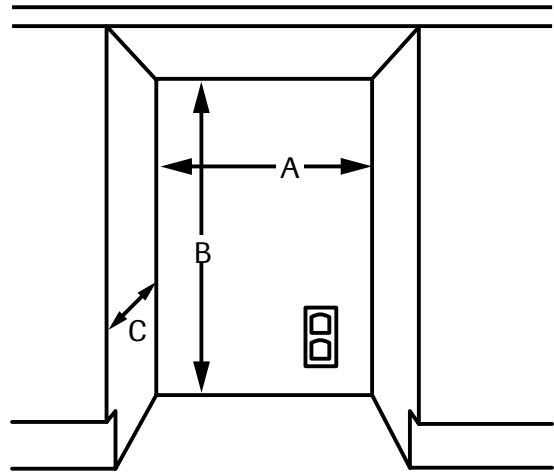
The wine chiller was designed to be installed under the counter. Its proper location will ensure peak performance. Choose a location indoors, away from heat and out of direct sunlight. Best performance will be maintained when installed within the following parameters:

### Ideal Ambient Temperature Range

Built-In ..... 65 - 80° F  
(18 - 27° C)

Provisions for electricity should be determined before placing the wine chiller in its final location (see page 2).

## Cabinet Cutout Dimensions



UNDER COUNTER CUTOUT	
<b>A</b>	24" (61.0 cm)*
<b>B</b>	Min. 34½" (87.6 cm) Max. 35¼" (89.5 cm)
<b>C</b>	24⅞" (61.27 cm)

\* If door is recessed between cabinets, cabinet cutout must be 24¼" (61.6 cm) in width.

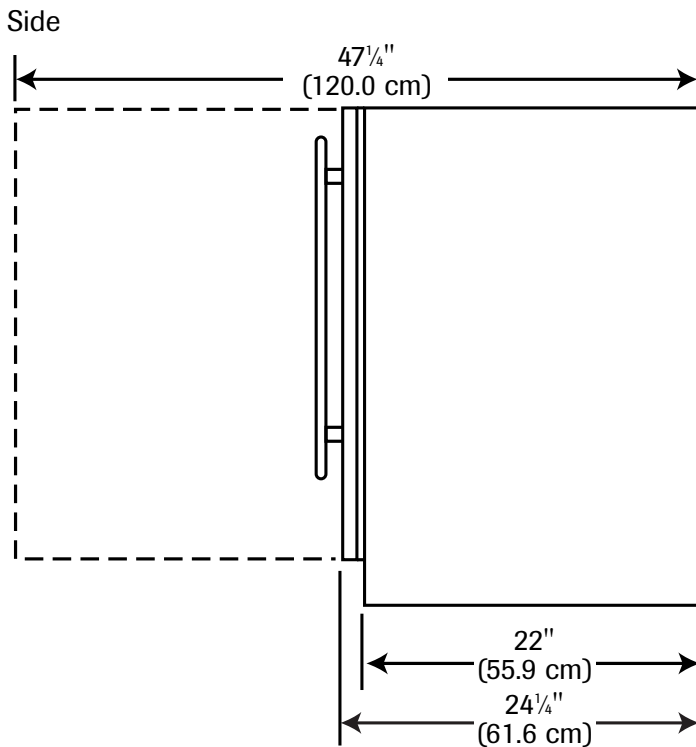
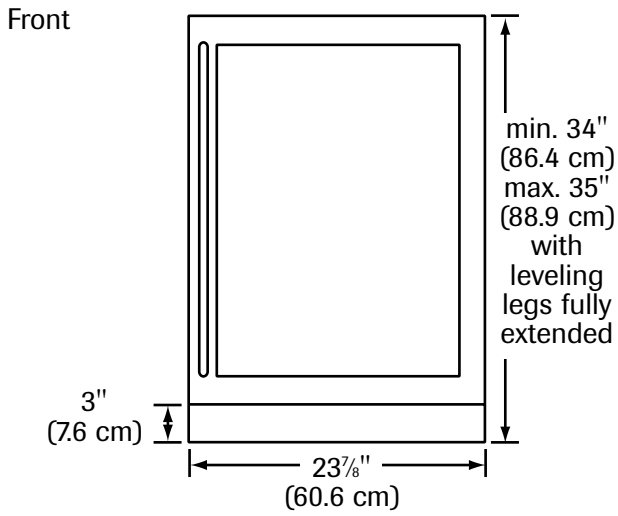
## Cabinet Clearance

Ventilation is required from the bottom front section of the wine chiller. Keep this area open and clear of any obstructions.

The adjacent cabinets and counter top can be built around the wine chiller as long as no top trim or counter top is installed lower than the top of the hinge.

Installation should allow for the wine chiller to be moved if service is ever required.

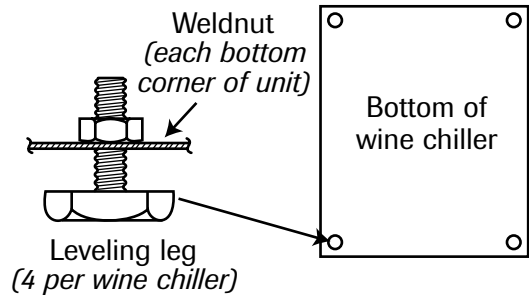
## Dimensions



## Leveling Legs

Install leveling legs (located in literature pack):

- With at least two people, tip wine chiller backwards until there is approximately 12" (31 cm) of clearance between the floor and the wine chiller.



- Screw one front leveling leg into the screw impression found in each corner. Leveling legs should be screwed in until snug.
- Repeat the above procedures to install the rear leveling legs.

### ⚠ WARNING

- To prevent injury, one person should not attempt to tilt the wine chiller by himself. Have someone else assist to prevent the wine chiller from falling during leveling leg installation.

### ⚠ CAUTION

- The wine chiller should remain upright at least 30 minutes prior to plugging it in.

## Level the Wine Chiller

Using a carpenter's level, check to be sure the wine chiller is level from side to side and from front to back. Leveling adjustments can be made by turning the leveling legs counter-clockwise to increase height and clockwise to reduce height.

**NOTE:** The wine chiller should not wobble. Use shims to add stability when needed.

# Installation, cont.

## Reversing the Glass Door

### ⚠ WARNING

- To avoid electrical shock which can cause personal injury or death, disconnect power to the wine chiller before reversing the door.

The wine chiller door can have a left or right hand swing. Typically the door is installed on the wine chiller with a right hand swing configuration. To change to a left hand swing, follow the instructions listed below.

### Materials Needed

- $\frac{1}{8}$ " Allen wrench
- Phillips screwdriver with magnetic tip
- Needle-nose pliers
- $\frac{5}{16}$ " nut driver
- Small flat-blade screwdriver

*Black or white framed model:*

- 15 mm deep-well socket and wrench

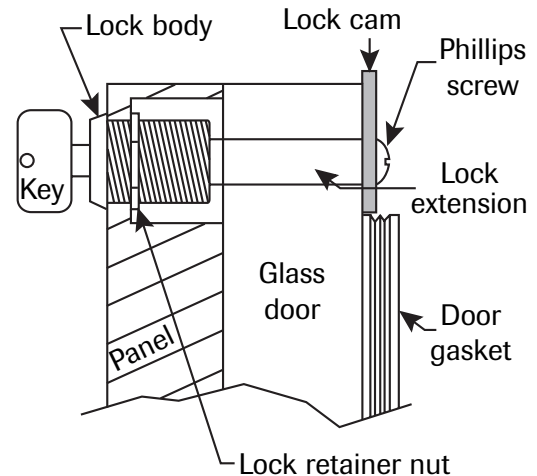
*Custom wood frame or stainless steel frame overlay model:*

- 15 mm open-end wrench

1. Note the thermostat control knob setting so you can reset the thermostat knob to its proper setting after the door reversal is complete.
2. Turn the thermostat control knob counterclockwise until the "OFF" setting is at the 12:00 position. The wine chiller's refrigeration system will shut off.
3. Using the  $\frac{1}{8}$ " Allen wrench, remove the screw from the top hinge of the wine chiller. Be sure to support the door so that it does not fall. Lift the door gently up and away from the bottom hinge.
4. Lay the glass door face down on a smooth, non-abrasive surface protected by towels or rugs to avoid accidental damage.
5. Using the  $\frac{5}{16}$ " nut driver, remove the  $\frac{5}{16}$ " hex head screws which are holding the top and bottom hinges. Set screws and hinges aside for later.
6. Using the Phillips screwdriver, remove the Phillips head hinge pin from the bottom hinge. Set the hinge, hinge pin and plastic washer aside for later.

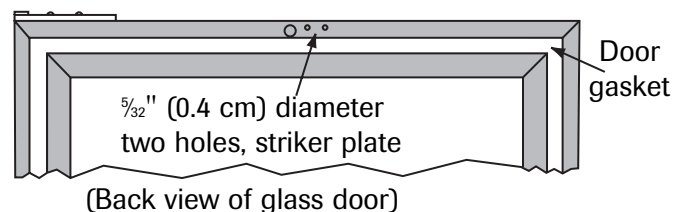
**For custom wood frame model, skip to step 12.**

7. Pull the door gasket out of the door's back frame, enough to allow access to the screw holes and the back of the door lock.



8. Using the Phillips screwdriver, remove the Phillips screw at the end of the door lock. Set the Phillips screw lock washer, lock cam and lock/cam extension pieces aside for later.
9. *Stainless steel frame overlay model only:* Remove the ten screws that secure the stainless steel frame overlay to the glass door. Set the screws aside for later.
10. *Black or white framed model:* Use the 15 mm deep-well sock and wrench.  
*Stainless steel frame overlay model:* use the 15 mm open-end wrench.
- Loosen the retaining nut that secures the lock to the door frame. If the nut falls back into the door frame, use the needle-nose pliers to retrieve it and set the nut aside for later.
11. Gently lift the door end up where the lock is currently located and let the lock fall out and away from the door. Set the lock aside for later.
12. Using the Phillips screwdriver, remove the two screws holding the light striker plate to the back side of the door.

The following graphic shows the striker plate hole locations when changing to a left hand door swing. Remove the light switch striker from the bottom of the right hand swing door and install the striker plate in the holes as shown.



13. Relocate the light striker plate to the opposite end of the door, lining up the two holes in the striker plate, with the two holes at the opposite center of the door. Remove the two hole plugs (select models) and resecure the striker plate with the two screws.

***For custom wood frame model, skip to step 21.***

14. Lift the door or stainless steel frame overlay end up, opposite of where the door lock was previously located and insert the lock from the front side. Hold the lock in place and gently lower the door or stainless steel frame overlay back down.

*Black or white framed model:* Use the 15 mm deep-well socket and wrench.

*Stainless steel frame overlay:* 15 mm open-end wrench.

Reassemble the door lock's retaining nut to the lock. Follow step 15 before tightening the door lock's nut.

15. Reassemble the Phillips screw, lock washer and lock cam back into the lock in the order they were removed. Position the door lock's cam so that it projects upward from the top of the door. Make sure the key slot on the front is aligned vertically, from top to bottom. Lightly tighten the Phillips screw to secure the lock assembly. Now tighten the door lock's retaining nut.

*Stainless steel frame overlay model:* Now tighten the retaining nut.

*Black or white framed model:* Mark the alignment of the door lock and then remove the Phillip's screw and lock cam. Now tighten the retaining nut, then reassemble the lock cam and Phillip's screw.

***Steps 16 – 19 are needed for stainless steel frame overlay model only. If reversing the door on a black or white framed model, skip to step 20.***

16. Using the Phillips head screwdriver, remove the door lock's Phillips screw at the end of the door lock's extension and remove the lock cam. Set the lock cam aside for reassembly later. Resecure the lock extension to the lock with the Phillips screw.
17. Lay the stainless steel frame overlay face down on a smooth surface. Align the glass door directly over the stainless steel frame overlay so that the lock extension will go through the hole in the glass door that is on the opposite end of where the lock was originally located. Look for the mounting

holes in the glass door and align these holes with the threaded weld nuts in the overlay. Use the ten screws removed in step 9 to resecure the stainless steel frame overlay to the glass door.

18. Remove the door lock's Phillips screw and reassemble the lock cam to the lock extension and resecure.
19. Check to see that the lock easily turns a quarter turn from vertical to horizontal.
20. Reinstall the door gasket by pressing it back into the door channel. Make certain the door gasket is secure and sealed. If necessary, use the small flat-blade screwdriver to help push the arrowhead, section of the door gasket into the gasket channel.
21. Locate the two hinges that were removed from the right-hand side of the wine chiller. Insert the hinge pin screw into the hinge that was on top and tighten securely. This hinge will be the bottom hinge on the left side of the cabinet.
22. Remove the six plastic hole plugs from the left hand side hinge mounting holes.
23. Using the  $\frac{5}{16}$ " nut driver, mount the hinges on the left side of the wine chiller using the six set-aside  $\frac{5}{16}$ " hex screws. Tighten screws securely.
24. Install custom wood frame panel (select models, refer to page 7).
25. Gently lift the door up and place the door on the bottom hinge/hinge pin assembly. Make sure the plastic washer is installed on the bottom hinge before placing the door on it.
26. Using the  $\frac{1}{8}$ " Allen wrench, secure the door to the top hinge with the Allen hinge pin screw.
27. Make certain that the door swings freely, the door gasket seals properly and the interior light goes on and off as the door opens and closes.
28. Confirm that door lock turns a quarter turn from vertical to horizontal and that this locks the door closed.
29. Replace all hole plugs.
30. Reconnect the power to the wine chiller. Return the control knob to its previous setting.



# Installation, cont.

## Prepare the Custom Door Wood Frame

### Custom Handle

1. A custom handle (not supplied) must be installed.
2. Drill pilot holes through the custom panel to match the handle. Countersink the holes in the back of the panel.
3. Attach the custom handle to the front door panel assembly.

**NOTE:** The custom handle screws should be installed through custom panel and into the custom handle. The screw heads should be countersunk so the inside panel surface can be installed flush with the wine chiller door.

### Door Wood Frame Dimensions

Overall width:.....23<sup>7</sup>/<sub>16</sub>" (59.5 cm)

3<sup>1</sup>/<sub>2</sub>" (8.9 cm) toe kick height: .....30<sup>5</sup>/<sub>16</sub>" (77 cm)

4" (10.2 cm) toe kick height: .....29<sup>13</sup>/<sub>16</sub>" (75.7 cm)

Door frame minimum width

to cover door extrusion:.....1<sup>23</sup>/<sub>32</sub>" (4.4 cm)

Thickness:.....<sup>5</sup>/<sub>8</sub>" to <sup>3</sup>/<sub>4</sub>" (1.6 to 1.9 cm) maximum

### Wood Screws

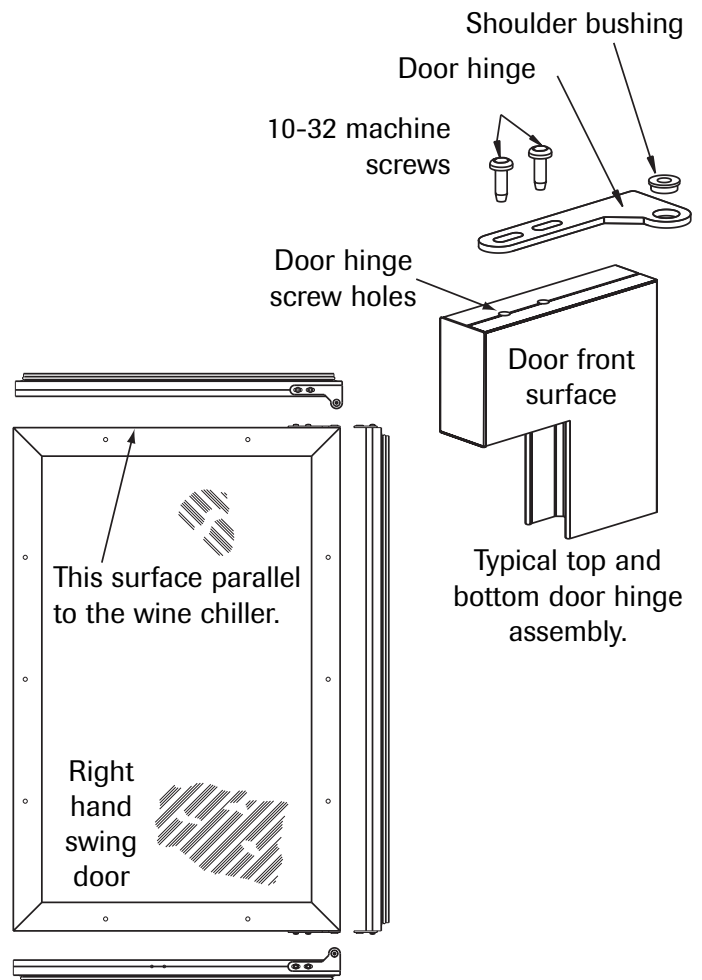
1. #8 pan head wood screws are recommended to properly secure the custom wood panel to the wine chiller door.
2. A total of ten screws will be needed for a 3<sup>1</sup>/<sub>2</sub>" (8.9 cm) toe kick or eight screws for a 4" (10.2 cm) toe kick.
3. Use only pan head screws.
4. Be sure the screw length is **NOT** longer than the wood thickness at the screw locations.
5. Use the following pilot hole drill sizes for the frame material.

Type of Wood	Pilot Hole Drill Size for #8 Pan Head Wood Screws
Hardwood	<sup>3</sup> / <sub>32</sub> " (0.24 cm)
Softwood	<sup>5</sup> / <sub>64</sub> " (0.20 cm)

## Assemble Door Hinge Brackets

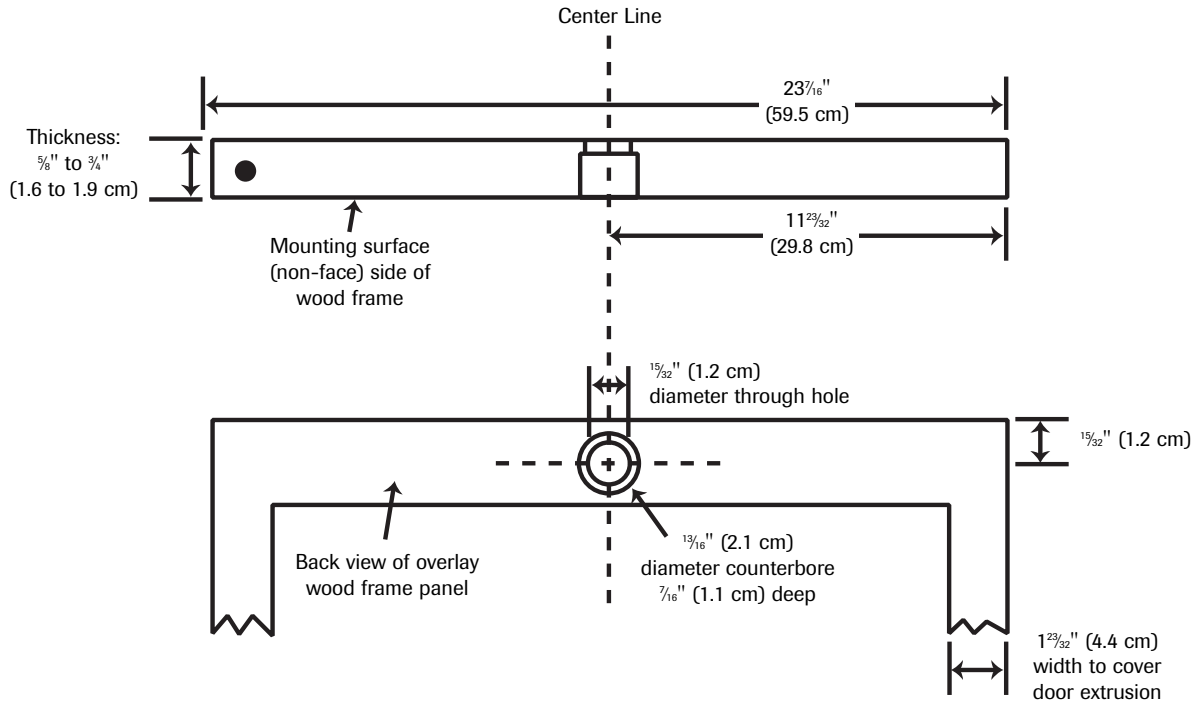
**NOTE:** Skip this step if hinges are already attached.

1. Attach the top and bottom door hinges to the door with the 10-32 machine screws and a <sup>1</sup>/<sub>8</sub>" Allen head driver as shown in the following figure.
2. Press in the shoulder bushings to the top and bottom door hinges. Make certain that the shoulder is to the outside of the door as shown in the following figure.
3. Test fit the door to the wine chiller to make certain door will hang correctly. The door is hung correctly when the top of the door is parallel to the top of the wine chiller. Adjustments can be made by loosening the door hinge machine screws and moving the door hinge on the door.
4. Tighten all four machine screws after adjustments have been made.
5. Remove the door from the wine chiller by removing the top hinge set screw and angling the door off the bottom hinge pin.



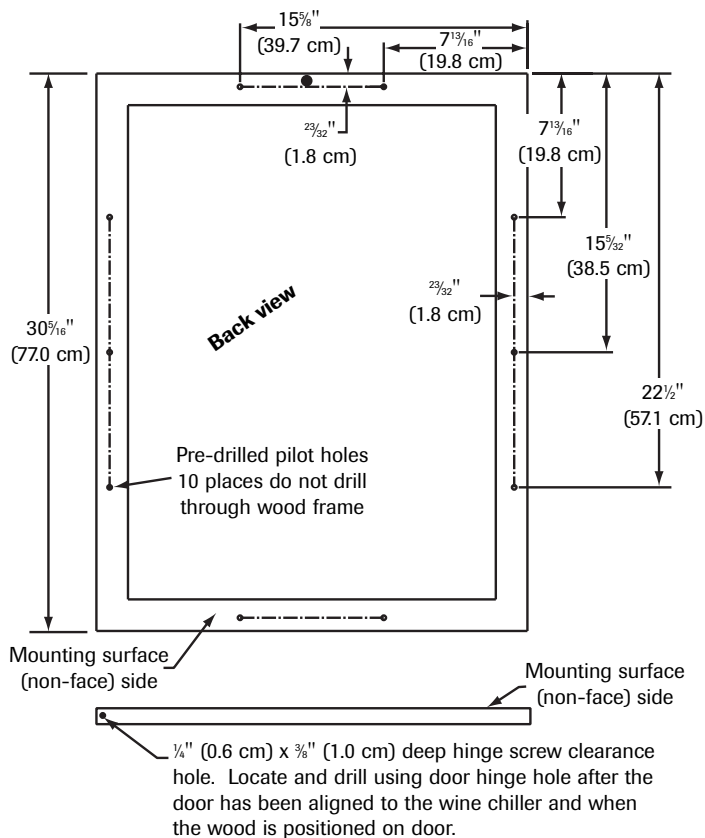


## Lock Hole Detail

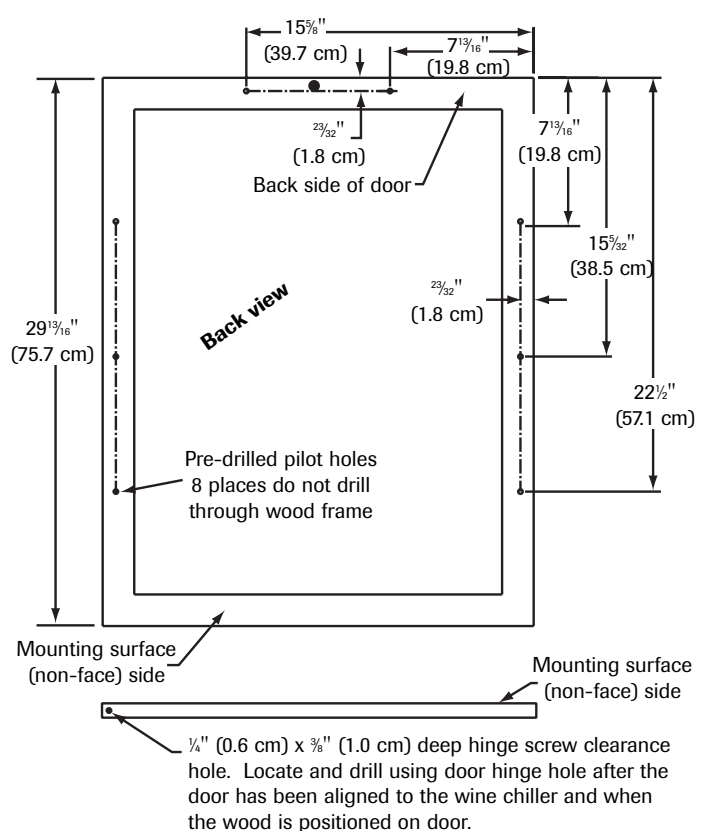


## Prepare the Wood Frame

**For a  $3\frac{1}{2}$ " (8.9 cm) toe kick**  
(covers the entire door extrusion)



**Optional for a 4" (10.2 cm) toe kick**  
(to match existing cabinetry toe kick height)



# Installation, cont.

## Attach the Wood Panel to the Wine Chiller Door

### ⚠ WARNING

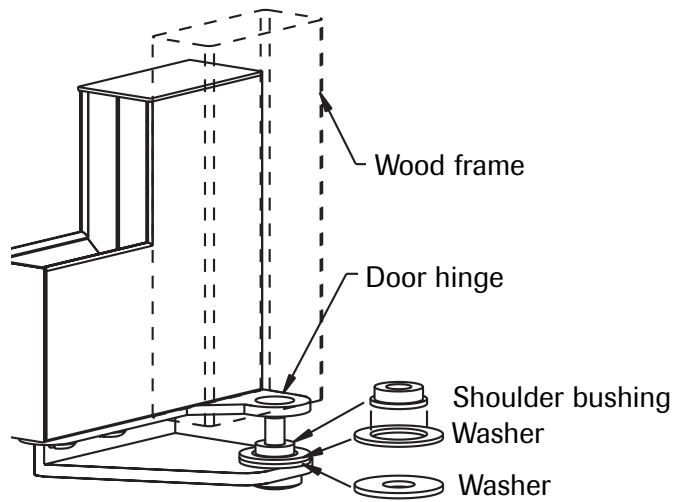
- To avoid electrical shock which can cause severe personal injury or death, disconnect power to wine chiller before installing wood frame.

### ⚠ CAUTION

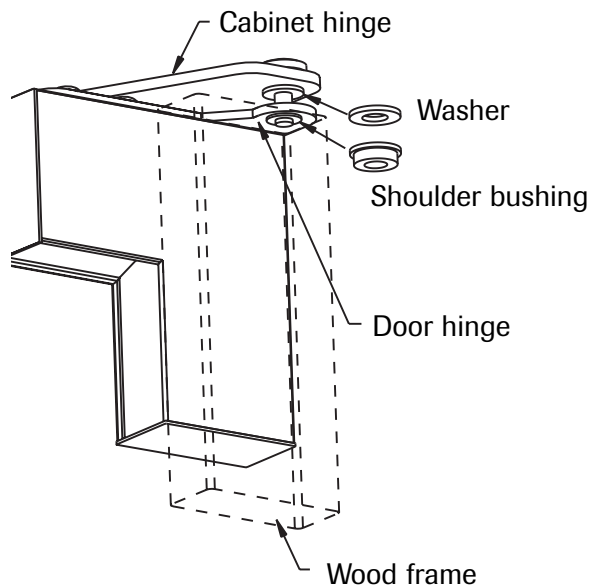
- Door can become disengaged if washers are not installed.
- Door may not swing properly if all nylon components are not installed as shown.

1. If the door is attached to the wine chiller, remove it by unscrewing the top Allen head set screw at the top hinge. Remove the door by angling the door off of the bottom hinge pin.

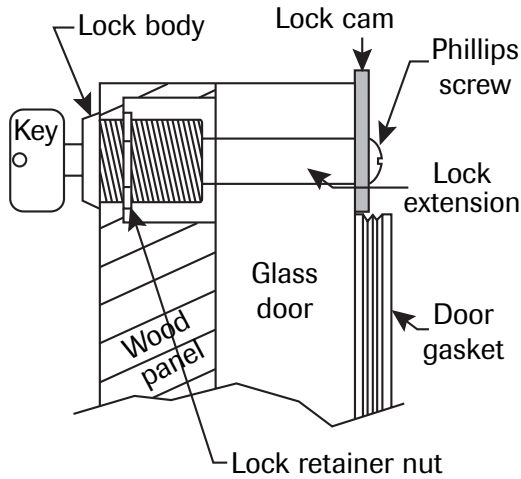
Bottom Hinge Corner



Top Hinge Corner

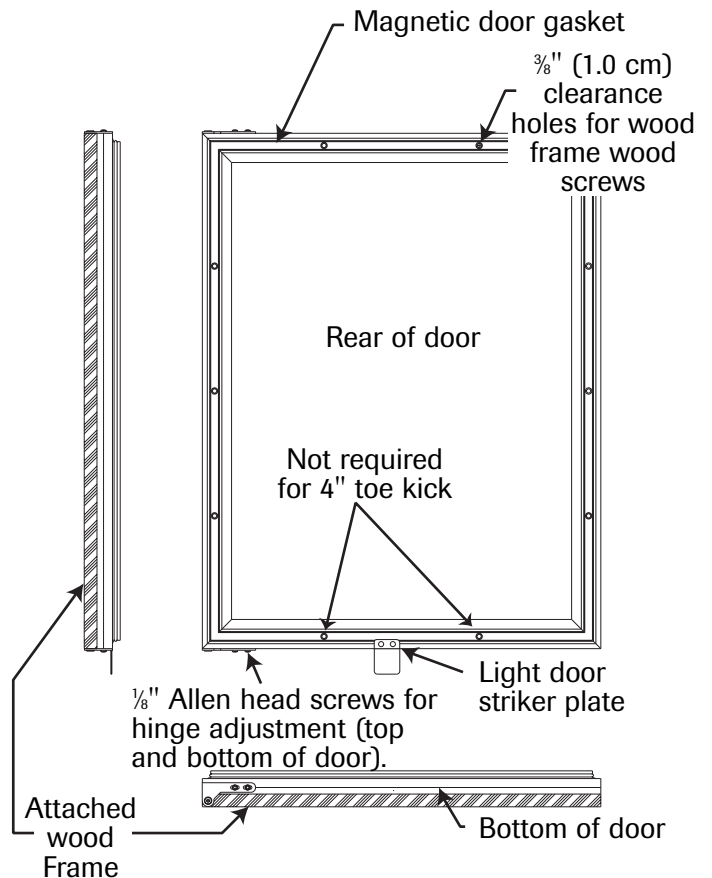


2. Install the supplied lock body into the wood panel. The lock and key assembly is supplied with your wine chiller. Secure the lock body by using the supplied 15 mm lock retaining nut and screwing it on the lock body's threaded section. Make sure that the lock's key slot is vertical, then tighten the 15 mm nut with a 15 mm deep-well socket.



3. Peel back door gasket on the glass door to provide access to the screw holes used to mount the wooden frame and the hole for the lock's extension section at the top of the door.
4. Place the custom wood panel on a non-abrasive surface, protected by towels or rugs, to avoid accidental damage to the door finish.
5. Set the wood frame flush to the front of the door in the desired location clamp wood frame to the door if necessary. Check to see that the back of the lock in the wood frame lines up with the hole in the door.
6. Insert the wood screws through the back of the door into the pilot holes in the wood frame and tighten.
7. Assemble the door lock Phillips screw, lock extension, lock cam and mount them to the back of the lock body. Position the door lock cam so that it projects upward from the top of the door. Tighten the Phillips screw to secure the lock assembly.

8. Reinstall the door gasket by pressing into door channel. Make certain the corners are inserted fully. Insert the key into the lock and make sure the lock operates properly.
9. Install the door to the wine chiller. Use the washers (if provided) as shown on page 9.
10. Realigning the door may be necessary. Final door adjustments can be made using a  $\frac{1}{8}$ " Allen wrench to adjust the door hinges (see figure below).
11. Attach the door to the wine chiller by reversing step number one above.
12. Make certain that the glass door swings freely, the door gasket seals properly and the interior light goes on and off as the door opens and closes.
13. Confirm that door lock turns a quarter turn from vertical to horizontal and that this locks the door closed.
14. Reconnect the power to the wine chiller. Return the control knob to its previous setting.



# Installation, cont.

## Wine Racks

The wine chiller features slide out racks at the mid and lower level. The upper two racks are fixed.

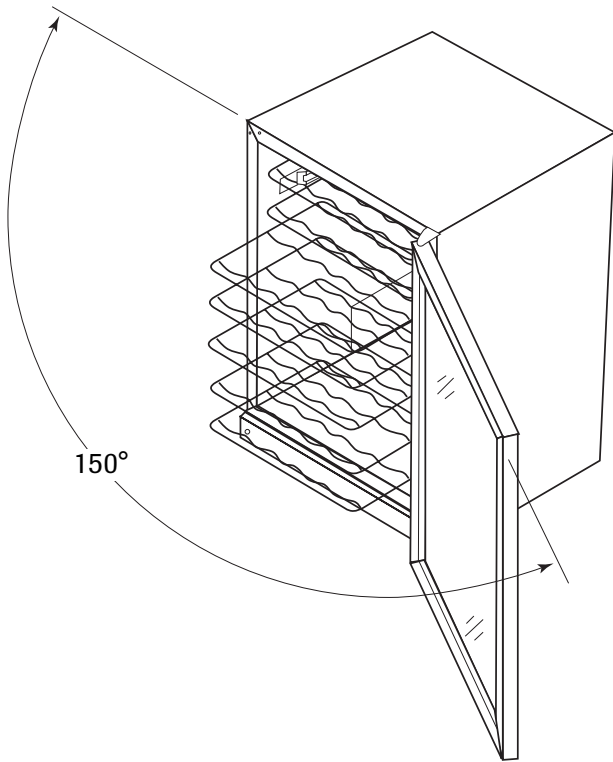
To be able to pull the wine racks out from the wine chiller, the door from a closed position must be opened a minimum of 150°.

Verify before completing installation of your wine cooler at it's proposed location will allow the door to open sufficiently so that the wine racks can be pulled out, if desired. As a possible solution, reversing the door swing may provide enough door swing to pull out the wine racks.

You may also alleviate the door swing situation, by keeping the wine chiller's door pulled out further than the cabinet fronts.

### ⚠ CAUTION

- Do not attempt to remove a rack while it has wine bottles stored. Always empty the rack prior to removing it from the cabinet.

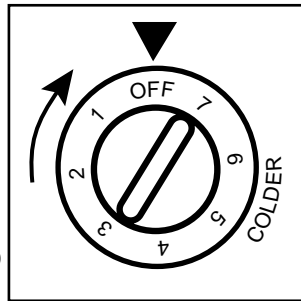


# Operation

## 1. Setting the Control:

The available settings of 1 through 7 provide a temperature range in the wine chiller from the low forties to the mid sixties.

Use a coin to initially turn the control clockwise to the middle thermostat setting (4). Allow at least 48 hours for the wine chiller to stabilize before making any adjustments to the initial setting.



The mid setting on the control (4) provides approximately 55° F (13° C) which is the appropriate temperature for long term storage of all types of wine.

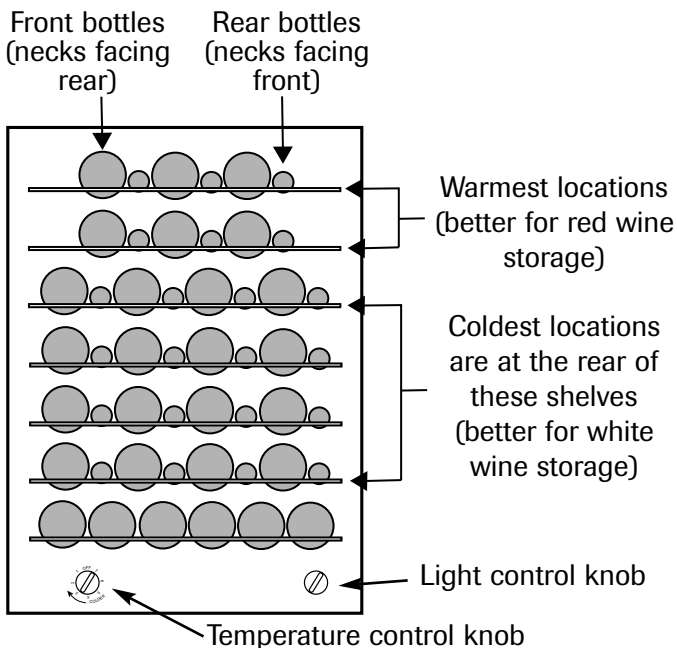
The coldest setting (7) provides a storage temperature of approximately 45° F (7° C) which is the serving temperature for white wine.

The temperature can be adjusted by turning the control clockwise for a colder temperature or counterclockwise for a warmer temperature.

**2. Insert Wine Bottles:** The top two racks each hold six bottles, with the necks alternating front (rear bottles) to back (front bottles). The middle four racks each hold eight bottles, with necks alternating front (rear bottles) to back (front bottles). The bottom rack holds six bottles and are loaded with necks facing the rear. Tall bottles should not be loaded on the bottom rack because they may prevent the door from closing.

## Loading Tips and Suggestions:

1. As with most refrigeration products, there is a slight temperature variance at different locations within the wine chiller.  
  
The coolest areas will be at the rear of the four middle racks. The front locations on these racks are generally a few degrees warmer than the rear locations.  
  
The overall warmest storage location in the wine chiller will be the upper two racks. This location in the wine chiller is approximately 3° to 7° F (-1.5° to -4° C) warmer.
2. Position white wines on the middle or lower racks and red wines on the upper racks.
3. Turn off the light when it is not needed, as bottles directly under the light will be exposed to a slightly higher temperature when the light is on.
4. Place wines that are being stored for aging or long term at the rear of the racks.
5. Place wines that will be used sooner on the front half of the racks where labels are more readily visible.
6. Magnums and other large bottles can be stored on the upper right and left positions of the wine chiller or on any of the middle racks, by removing the rack directly above them.



# Features

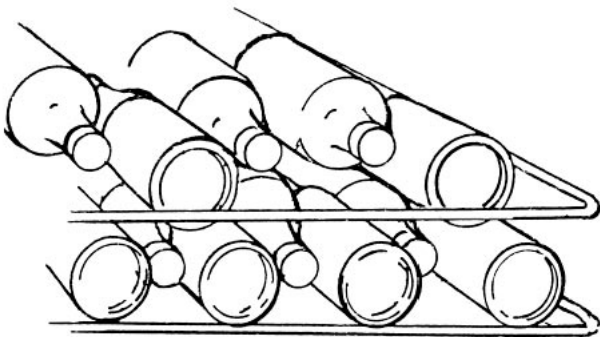
- **Adjustable Temperature Control:** The temperature control is adjustable from the low forties to the mid sixties. The temperature range allows flexibility for storage temperature preferences and accommodates storage of a variety of red, white and sparkling wines.
- **Interior Light:** The light control knob is located on the lower right front of the wine chiller, in the toe kick area.

The light automatically illuminates to full intensity any time the door is opened, to make it easier to view the wine labels.

To view the display of your wine collection, while the door is closed, turn the light control knob (see page 12).

**NOTE:** When the knob is turned fully counter-clockwise, the light is off when the door is closed. In the full clockwise position, the light remains on continuously. The knob can be set at any position in between to achieve the desired level of light intensity. The dimming feature only affects the light when the door is closed. The light is always at full intensity when the door is open.

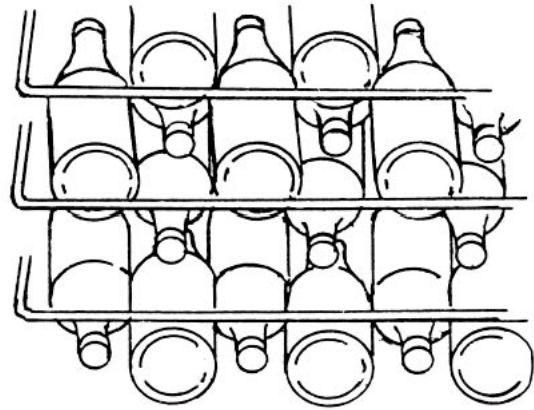
Remember to turn off the light when it is no longer needed.



- **Pull-out Racks:** The middle four racks may be pulled out approximately 6" (15 cm) to facilitate adding or removing bottles

## ⚠ CAUTION

- Do not attempt to remove a rack while it has wine bottles stored. Always empty the rack prior to removing it from the cabinet.



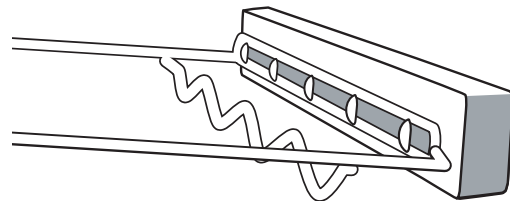
- **Single Bottle Racks:** Because bottles are not stacked on top of each other, you can easily view and access your inventory without disturbing other bottles.
- **Lock:** To secure your wine collection, the wine chiller can be locked. Use the ejectable key that has been shipped with your appliance to securely lock the door.

**NOTE:** Lock is designed so key cannot stay inserted into the lock.

- **Wood Rack Fronts:** There are four unfinished solid maple rack fronts packed with your wine chiller. These can be finished to match the surrounding cabinetry in your home. Follow the finishing instructions provided by the stain manufacturer.

**NOTE:** In many cases stains and/or finishes have odors that may be objectionable in an enclosed area.

**To Install:** Place one rack front on each of the middle four racks. Align the holes in the wood up to rack front and gently tighten down.



# Care and Cleaning

## Cleaning

### ⚠ WARNING

- To avoid electrical shock which can cause severe personal injury or death, disconnect power to the wine chiller before cleaning.

- **Condenser:** The condenser tubing inside the wine chiller does not require frequent cleaning; however, satisfactory cooling depends on adequate ventilation over the coils. Be sure that nothing obstructs the required air flow openings in front of the wine chiller. At least twice a year brush or vacuum lint and dirt from the condenser for efficient performance by unscrewing the grille on the bottom front of the wine chiller.
- **Wine Chiller:** The painted cabinet can be washed with mild detergent and water and thoroughly rinsed with clear water. Never use abrasive scouring powders.
- **Stainless Steel Door Frame:** Use a soft cloth or sponge and wipe with the grain of the stainless steel. Use mild detergent and water for light soil, Bon Ami\* for more moderate soil and Cameo Stainless Steel Cleaner\* for discoloration. Do not use chlorine bleach or products containing chlorine bleach on stainless steel.  
  
After cleaning, rinse and dry. To restore luster and remove streaks, follow with Stainless Steel Magic Spray\* (Jenn-Air model A912, part number 20000008).
- **Interior:** Wash interior compartment with mild detergent and water. Do not use an abrasive powder, solvent, polish cleaner or undiluted detergent.
- **Glass Door:** Use a glass cleaner or mild detergent and water and soft cloth to clean the glass door. Do not use abrasive powders.
- **Door Gasket:** The vinyl gasket may be cleaned with mild detergent and water, or a solution of 2 tablespoons baking soda to 1 quart warm water.

## Light Bulb Replacement

### ⚠ WARNING

- To avoid electrical shock which can cause severe personal injury or death, disconnect power to the wine chiller before replacing light bulb. After replacing light bulb, connect power.

### ⚠ CAUTION

To avoid personal injury or property damage, observe the following:

- Allow light bulb to cool.
- Wear gloves when replacing light bulb.

The wine chiller uses a 15 watt, intermediate base bulb and is located inside the light shield. The light shield is on the ceiling of the wine chiller and is held in place by three screws. Remove the three screws and light shield to remove the light bulb. Do not use a replacement light bulb greater than 15 watts.

## In the Event of a Power Failure

If the power fails, open the door as infrequently as possible to maintain the temperature. A gradual rise in temperature should not have any adverse effect on the wine.

If it is extremely hot, you may want to move the wine to the coolest location you can find until power is restored.

\* Brand names for cleaning products are registered trademarks of the respective manufacturers.



# Before Calling for Service

Before calling for service check the troubleshooting table below. This table lists possible problems that you can remedy without difficulty to avoid an unnecessary service call.

PROBLEM	POSSIBLE CAUSE/SOLUTIONS
Odor in wine chiller	<ul style="list-style-type: none"> <li>• Interior needs cleaning.</li> </ul>
Noisy operation	<ul style="list-style-type: none"> <li>• Wine chiller not level.</li> </ul>
	<ul style="list-style-type: none"> <li>• Weak floor.</li> </ul>
Wine chiller vibrates	<ul style="list-style-type: none"> <li>• Wine chiller not level.</li> </ul>
	<ul style="list-style-type: none"> <li>• Weak floor.</li> </ul>
Wine chiller light not working	<ul style="list-style-type: none"> <li>• Bulb burned out.</li> </ul>
	<ul style="list-style-type: none"> <li>• No power at outlet.</li> </ul>
Appliance will not run	<ul style="list-style-type: none"> <li>• Temperature control turned to "OFF".</li> </ul>
	<ul style="list-style-type: none"> <li>• Line cord not plugged in.</li> </ul>
	<ul style="list-style-type: none"> <li>• No power at electrical outlet.</li> </ul>
	<ul style="list-style-type: none"> <li>• House fuse blown or circuit breaker open.</li> </ul>
Appliance runs long	<ul style="list-style-type: none"> <li>• Prolonged door openings.</li> </ul>
	<ul style="list-style-type: none"> <li>• Control set too cold.</li> </ul>
	<ul style="list-style-type: none"> <li>• Condenser needs cleaning.</li> </ul>
Moisture collects inside	<ul style="list-style-type: none"> <li>• Too many door openings.</li> </ul>
	<ul style="list-style-type: none"> <li>• Hot, humid weather increases condensation.</li> </ul>
Moisture collects on outside surface	<ul style="list-style-type: none"> <li>• Hot, humid weather increases condensation. As humidity decreases, moisture will disappear.</li> </ul>
	<ul style="list-style-type: none"> <li>• Control improperly set.</li> </ul>
Interior too hot/too cold	<ul style="list-style-type: none"> <li>• Control improperly set.</li> </ul>
	<ul style="list-style-type: none"> <li>• Temperature is being checked with a faulty thermometer.</li> </ul>
	<ul style="list-style-type: none"> <li>• Move the thermometer to center of wine chiller and recheck.</li> </ul>

If you do need service, contact your dealer or the manufacturer. In any correspondence, refer to the model number and serial number of your wine chiller which is located inside the wine chiller, on the upper left side. Retain your proof of purchase. Record these numbers in the space provided on page 1.

# Notes

# Warranty

## Full One Year Warranty

For **one (1) year** from the original retail purchase date, any part which fails in normal home use will be repaired or replaced free of charge.

## Limited Warranties - Major Refrigeration Components

**Second Through Fifth Years** - After the first year from the original purchase date through the end of the fifth year, the manufacturer will repair or replace, at its option, free of charge for parts and labor (only), any part of the sealed refrigeration system (consisting of the compressor, evaporator, condenser, dryer and connecting tubing) which fail in normal home use. All other costs, including mileage, transportation, trip charge and diagnostic charge, if required, shall be the responsibility of the owner.

## Limited Warranties - Other Parts

**Second Year** - Parts other than major refrigeration components which fail in normal home use during the second year following the original retail purchase date will be repaired or provided free of charge for the part itself, with the owner paying all other costs, including labor, mileage, transportation, trip charge and diagnostic charge, if required.

**NOTE:** The full warranty and the limited warranties apply when the refrigeration product is located in the U.S.A. or Canada. Products located elsewhere are covered by the limited warranties only including parts that fail during the first year.

## LIMITATIONS OF LIABILITY

The warrantor shall not be liable for any incidental or consequential damages, including food loss. Some states do not allow the exclusion or limitation of consequential damages, so the above limitation or exclusion may not apply to you.

*The specific warranties expressed above are the **ONLY** warranties provided by the manufacturer. These warranties give you specific legal rights, and you may also have other rights which vary from state to state.*

## To receive warranty service:

To locate an authorized service company in your area contact the Jenn-Air dealer from whom your appliance was purchased; or call Maytag Services<sup>SM</sup>, Jenn-Air Customer Assistance at the number listed below. Should you not receive satisfactory warranty service, please call or write:

Maytag Services<sup>SM</sup>  
Attn: Jenn-Air CAIR<sup>®</sup> Center  
P.O. Box 2370  
Cleveland, TN 37320-2370

**U.S.A. and Canada** ..... **1-800-JENNAIR**  
**(1-800-536-6247)**

**U.S.A. customers using  
TTY for deaf, hearing impaired  
or speech impaired** ..... **1-800-688-2080**

**NOTE:** When writing or calling about a service problem, please include the following information:

- Your name, address and telephone number;
- Model number, serial number and revision number;
- Name and address of your dealer and the date the appliance was bought;
- A clear description of the problem you are having;
- Proof of purchase (sales receipt).

## What is Not Covered By These Warranties:

1. Conditions and damages resulting from any of the following:
  - a. Improper installation, delivery, or maintenance.
  - b. Any repair, modification, alteration, or adjustment not authorized by the manufacturer or an authorized servicer.
  - c. Misuse, abuse, accidents, or unreasonable use.
  - d. Incorrect electric current, voltage, or supply.
  - e. Improper setting of any control.
2. Warranties are void if the original serial numbers have been removed, altered or cannot be readily determined.
3. Light bulbs.
4. Products purchased for commercial or industrial use.
5. The cost of service or service call to:
  - a. Correct installation errors.
  - b. Instruct the user on the proper use of the product.
  - c. Transport the appliance to the servicer.
6. Consequential or incidental damages sustained by any person as a result of any breach of these warranties.

Some states do not allow the exclusion or limitation of consequential or incidental damages, so the above may not apply.

User's guides, service manuals and parts information are available from Maytag Services<sup>SM</sup>, Jenn-Air Customer Assistance.

Jenn-Air • 403 West Fourth Street North • P.O. Box 39 • Newton, Iowa 50208

# GUIDE DU PROPRIÉTAIRE

---

## TABLE DES MATIÈRES

Introduction.....	19
Instructions de sécurité.....	20
Installation.....	21-29
Fonctionnement.....	30
Caractéristiques .....	31
Entretien et nettoyage.....	32
Avant de contacter un réparateur.....	33
Garantie .....	34
Guía del Propietario .....	35

# Introduction

Félicitations pour l'achat de ce cellier à vin réfrigéré Jenn-Air.

Nous apprécions votre décision d'achat et sommes confiants que vous serez satisfait de cet appareil pendant des années à venir. Pour l'obtention des meilleurs résultats, nous vous suggérons de lire attentivement ce guide. Vous y trouverez des instructions sur les méthodes adéquates d'utilisation et d'entretien.

Si, à l'avenir, vous aviez besoin d'assistance pour ce cellier à vin, il sera extrêmement utile que vous ayez inscrit ci-dessous le numéro de modèle et le numéro de série de l'appareil. Ces numéros se trouvent sur une plaque signalétique, à l'intérieur du cellier à vin, en haut sur la paroi gauche.

Numéro de modèle : \_\_\_\_\_

Numéro de série : \_\_\_\_\_

Date de l'achat : \_\_\_\_\_

Nom du détaillant : \_\_\_\_\_

Adresse du détaillant : \_\_\_\_\_

Numéro de téléphone du détaillant : \_\_\_\_\_

## Ce que vous devez savoir sur les instructions de sécurité

Les instructions de sécurité importantes et les avertissements paraissant dans ce guide ne sont pas destinés à couvrir toutes les situations et conditions éventuelles qui peuvent se présenter. Il faut faire preuve de bon sens et de prudence lors de l'installation, de l'entretien ou de l'utilisation de ce cellier à vin.

Prenez toujours contact avec votre détaillant, distributeur, agent de service ou fabricant, au sujet de problèmes ou conditions que vous ne comprenez pas.

## Avant de contacter un réparateur...

Si quelque chose vous semblait inhabituel, veuillez vérifier la section « Avant de contacter un réparateur », qui est prévue pour vous aider à résoudre les problèmes de base avant de faire appel au service après-vente.

## Que faire si ces caractéristiques sont différentes de celles de mon cellier à vin?

Ce guide est prévu pour vous indiquer toute la variété possible de caractéristiques, disponibles dans la gamme de produits. Pour toute question, veuillez nous écrire (indiquez le numéro de modèle et votre numéro de téléphone), à :

Service-Client Jenn-Air

P.O. Box 2370

Cleveland, TN 37320-2370

É.-U. et Canada 1-800-JENNAIR

(1-800-536-6247)

1-800-688-2080 (télétype aux É.-U. pour handicapé de l'audition ou de l'élocution)

(Lundi - vendredi, 8 h - 20 h - heure de l'Est)

Site Internet : <http://www.jennair.com>

## Reconnaissez les étiquettes, phrases ou symboles sur la sécurité

### DANGER

**DANGER** – risques immédiats qui **RÉSULTERONT** en de graves blessures ou même la mort.

### AVERTISSEMENT

**AVERTISSEMENT** – risques ou pratiques non sûres, qui **POURRAIENT** résulter en de graves blessures ou même la mort.

### ATTENTION

**ATTENTION** – risques ou pratiques non sûres qui **POURRAIENT** résulter en des blessures mineures.

# Instructions de sécurité importantes

## ⚠ AVERTISSEMENT

- Toujours suivre les précautions de base lors de l'utilisation de l'appareil.

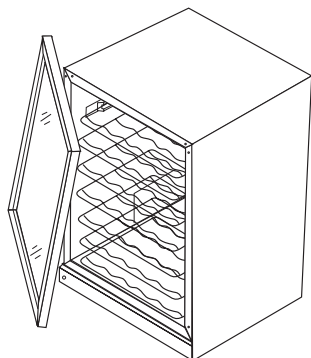
- Utiliser le cellier à vin uniquement pour son application prévue.

**REMARQUE :** Ce produit n'est pas prévu pour les aliments.

- Pour éviter un risque de choc électrique, ne jamais brancher le cellier à vin sur une prise de courant qui n'a pas été adéquatement reliée à la terre, conformément aux prescriptions des codes national et local des installations électriques. Voir ⚠ ci-après l'avertissement et les instructions de liaison à la terre.
- Débrancher le cellier à vin avant de le nettoyer, d'y faire de l'entretien ou de remplacer une ampoule.
- En cas de panne d'électricité, éviter d'ouvrir les portes.
- Réparer ou remplacer tout cordon d'alimentation électrique qui a été endommagé ou détérioré. Ne jamais tirer sur le cordon pour débrancher l'appareil.
- Pour éviter un incendie, le cellier à vin ne doit pas être utilisé dans un endroit où se trouve de l'essence ou d'autres liquides et vapeurs inflammables.
- Pour éviter les blessures, les enfants ne doivent pas escalader ce cellier à vin ni s'y suspendre ou s'y tenir debout.

**IMPORTANT :** Les risques d'enfermement et d'étouffement d'un enfant dans un appareil de réfrigération n'ont pas disparu. Un appareil abandonné demeure dangereux ... même s'il ne reste ainsi accessible que pendant quelques jours. Lorsqu'on se débarrasse d'un vieil appareil de réfrigération, il faut appliquer les instructions ci-dessous pour éviter tout accident.

- Démonter les portes.
- Laisser les clayettes en place pour qu'un enfant ne puisse pas facilement s'introduire dans l'appareil.

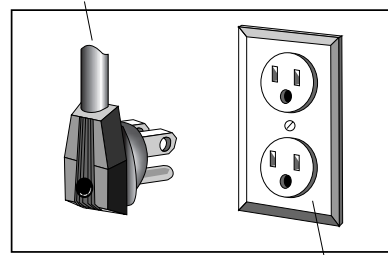


## ⚠ AVERTISSEMENT

- Cet appareil est conçu pour être alimenté à partir du réseau normal de 115 V / 60 Hz, 15 A. L'appareil devrait être alimenté par un circuit indépendant, mis à la terre. Ne pas utiliser un câble de rallonge. Ne jamais utiliser un dispositif susceptible de dégrader la performance électrique de l'appareil.

Cet appareil est doté d'une fiche de branchement à 3 broches (pour liaison à la terre), ce qui assure une protection adéquate contre les risques de chocs électriques. On doit brancher l'appareil uniquement sur une prise de courant reliée à la terre. Si la prise de courant disponible ne comporte que deux alvéoles, c'est au client qu'incombe la responsabilité et l'obligation personnelle de la faire remplacer par une prise de courant à 3 alvéoles convenablement reliée à la terre. On ne doit jamais, quelles que soient les circonstances, couper ou arracher la troisième broche (liaison à la terre) de la fiche de branchement. **Ne jamais utiliser une fiche d'adaptation.**

Cordon d'alimentation avec fiche à 3 broches mise à la terre



Prise de courant murale reliée à la terre

## ⚠ AVERTISSEMENT

- Ce cellier à vin, quelles que soient les circonstances, doit toujours être mis à la terre.

**Conserver ces instructions pour consultation ultérieure**

# Installation

## Outils nécessaires

- Clé Allen de 1/8 po
- Douille de 5/16 po
- Tournevis Phillips
- Couteau à mastic
- Niveau à bulle

## Sélection de l'emplacement

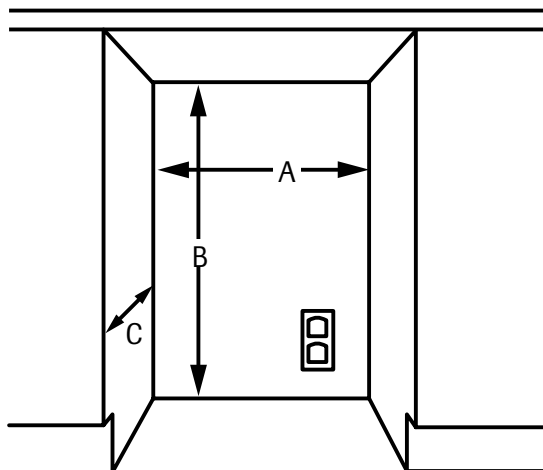
Ce cellier à vin est conçu pour être installé sous un comptoir ou plan de travail. Un emplacement approprié assurera une performance optimale de cet appareil. Choisir un endroit à l'intérieur, éloigné de la chaleur et de l'exposition directe au soleil. Le meilleur rendement est obtenu quand cet appareil est installé dans un milieu dont les paramètres correspondent à ce qui suit:

### Plage de température idéale de la pièce

Encastré.....65 - 80° F  
(18 - 27° C)

Les dispositions concernant l'installation électrique doivent être prises avant de mettre le cellier à vin à son emplacement définitif (voir page 20).

## Dimensions de l'ouverture entre les armoires



OUVERTURE SOUS LE COMPTOIR	
<b>A</b>	61,0 cm (24 po)*
<b>B</b>	Min. 87,6 cm (34½ po) Max. 89,5 cm (35¼ po)
<b>C</b>	61,27 cm (24⅞ po)

\* Si la porte se trouve également encastrée dans l'ouverture, cette ouverture doit alors être de 61,6 cm (24¼ po).

## Dégagement

Une aération est nécessaire à partir du bas à l'avant du cellier à vin pour que celui-ci fonctionne avec efficacité. Garder cette zone ouverte et sans obstruction.

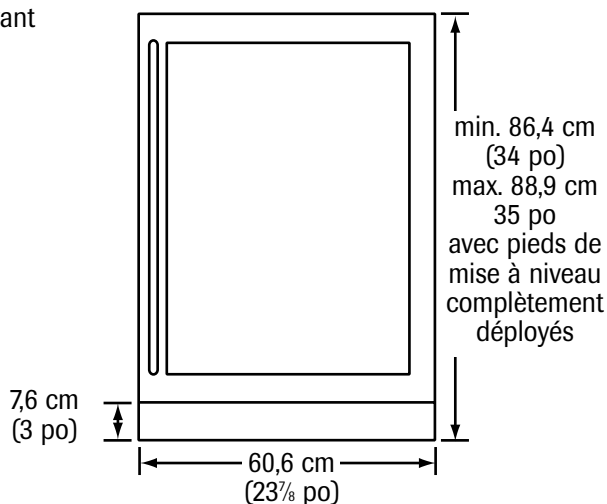
Les armoires et le comptoir adjacents peuvent être installés autour du cellier à vin tant qu'une garniture ou le comptoir ne se trouvent pas à un niveau inférieur au sommet de la charnière.

L'installation une fois terminée devra permettre l'enlèvement du cellier à vin si cela devenait nécessaire.

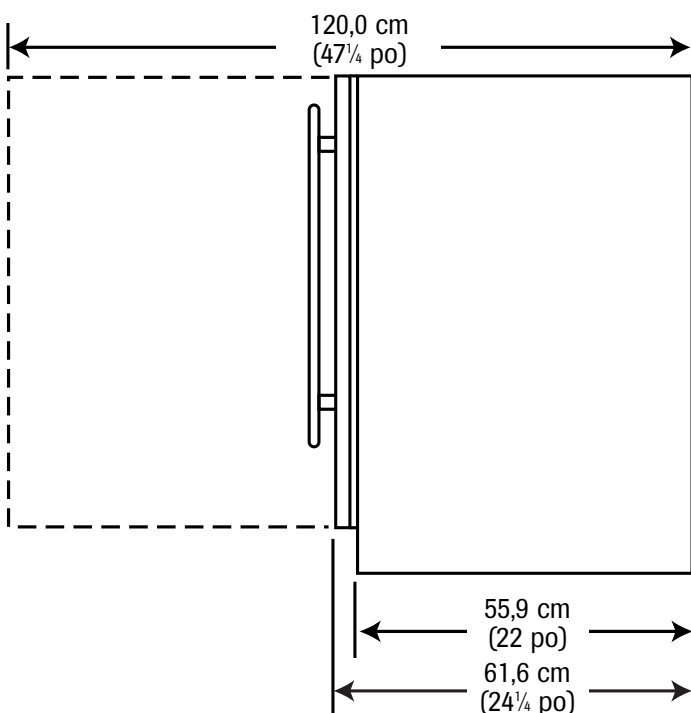


## Dimensions

Devant



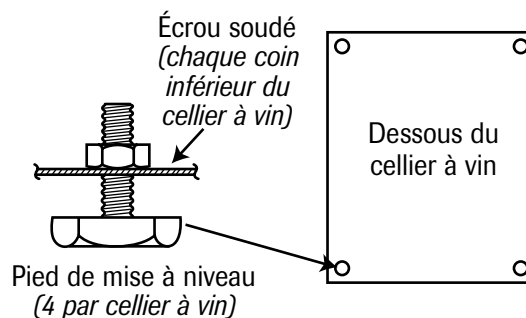
Côté



## Pieds de mise à niveau

Installer les pieds de mise à niveau (fournis dans le paquet de documentation) :

- Faire intervenir 2 personnes – incliner le cellier à vin en arrière pour qu'il y ait une distance libre d'environ 31 cm (12 po) entre le plancher et le cellier à vin.



- Visser un pied de mise à niveau dans chaque coin avant du dessous de l'appareil. Serrer les pieds de mise à niveau à fond sans les bloquer.
- Répéter cette technique pour installer les pieds de mise à niveau arrière.

### ⚠ AVERTISSEMENT

- Pour éviter de se blesser, une personne seule ne doit pas incliner le cellier à vin. Demander l'aide d'une autre personne pour éviter que le cellier à vin ne se renverse pendant l'installation des pieds de mise à niveau.

### ⚠ ATTENTION

- Le cellier à vin devra demeurer à la verticale pendant au moins 30 minutes avant de le brancher.

## Mise à niveau du cellier à vin

En utilisant le niveau à bulle, vérifier si le cellier à vin est bien à niveau latéralement et entre l'avant et l'arrière. Les ajustements de la mise à niveau doivent être réalisés en tournant les pieds de mise à niveau dans le sens antihoraire pour relever l'appareil et dans le sens horaire pour le baisser.

**REMARQUE :** Le cellier à vin doit être bien stable. Utiliser au besoin des cales pour obtenir une bonne stabilité.

# Installation (suite)

## Inversion de la porte en verre

### ⚠ AVERTISSEMENT

- Pour éviter tout risque de décharge électrique pouvant entraîner des blessures graves ou même la mort, débrancher le cellier à vin avant d'inverser la porte.

La porte du cellier à vin peut avoir une ouverture soit à droite, soit à gauche. Normalement, la porte est installée de manière que celle-ci s'ouvre vers la droite. Pour inverser l'ouverture de la porte, suivre les directives présentées ci-dessous :

### Outils nécessaires

- Clé Allen de  $\frac{1}{8}$  po
- Tournevis Phillips avec embout aimanté
- Pince à becs pointus
- Tourne-écrou de  $\frac{5}{16}$  po
- Petit tournevis à lame plate

*Modèle avec encadrement noir ou blanc :*

- Clé à douille profonde de 15 mm

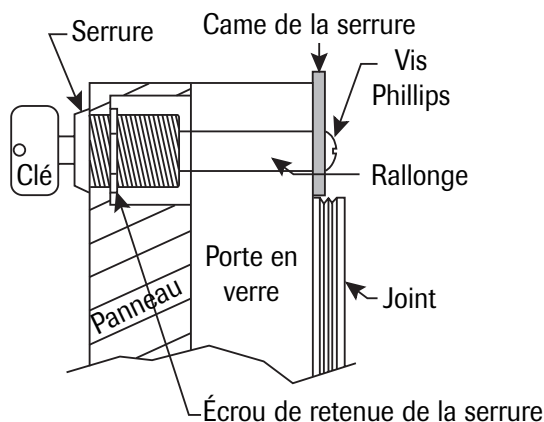
*Modèle avec encadrement en acier inoxydable ou en bois personnalisé :*

- Clé ouverte de 15 mm

1. Remarquer le réglage du bouton de commande du thermostat afin de le remettre correctement une fois l'inversion de la porte terminée.
2. Tourner le bouton de commande du thermostat dans le sens antihoraire jusqu'à ce que le réglage « OFF » (Arrêt) se trouve à la position de 12 heures. Ainsi, le système de réfrigération du cellier à vin s'arrêtera.
3. En utilisant la clé Allen de  $\frac{1}{8}$  po, enlever l'axe (vis) de la charnière supérieure du cellier à vin. S'assurer de bien retenir la porte afin que celle-ci ne tombe pas. Soulever la porte doucement en l'éloignant de la charnière inférieure.
4. Poser la porte en verre, en plaçant sa partie frontale sur une surface lisse et non abrasive, comme une serviette ou un tapis, afin d'éviter de l'endommager accidentellement.
5. En utilisant le tourne-écrou de  $\frac{5}{16}$  po, enlever les vis à tête hex. de  $\frac{5}{16}$  po qui retiennent les charnières supérieure et inférieure. Mettre les vis et les charnières de côté pour une utilisation ultérieure.
6. En utilisant le tournevis Phillips, enlever l'axe de charnière inférieure. Mettre la charnière, l'axe de charnière et la rondelle en plastique de côté pour une utilisation ultérieure.

*Pour le modèle avec encadrement en bois personnalisé, passer à l'étape 12.*

7. Retirer le joint de la porte hors de la section arrière de l'encadrement de la porte, et ce, suffisamment pour avoir accès aux trous de vis et à l'arrière de la serrure de la porte.



8. En utilisant le tournevis Phillips, retirer la vis Phillips à l'extrémité de la serrure de la porte. Mettre la vis Phillips, la rondelle-frein, la came de serrure et les pièces de rallonge de la came/serrure de côté pour une utilisation ultérieure.
9. *Modèle avec encadrement en acier inoxydable seulement :* Enlever les dix vis qui retiennent l'encadrement en acier inoxydable à la porte en verre. Mettre les vis de côté pour une utilisation ultérieure.
10. *Modèle avec encadrement noir ou blanc :* Utiliser la clé à douille profonde de 15 mm.

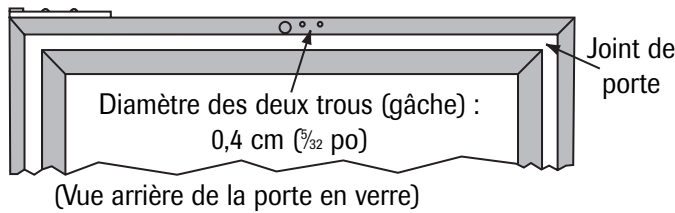
*Modèle avec encadrement en acier inoxydable :* Utiliser la clé ouverte de 15 mm.

Desserrer l'écrou de retenue qui fixe la serrure à l'encadrement de la porte. Si l'écrou tombe dans l'encadrement de la porte, utiliser la pince à becs pointus pour le récupérer; ensuite mettre cet écrou de côté pour une utilisation ultérieure.

11. Soulever doucement le côté de la porte où se trouve actuellement la serrure et laisser la serrure tomber hors de la porte. Mettre la serrure de côté pour une utilisation ultérieure.
12. En utilisant le tournevis Phillips, enlever les deux vis qui retiennent la gâche de l'interrupteur de la lampe, à l'arrière de la porte.

L'illustration suivante montre les emplacements des trous de la gâche lors du changement de l'ouverture de la porte vers la gauche.

Enlever cette gâche de la partie inférieure de la porte à ouverture à droite et l'installer dans les trous comme il est illustré.



- Placer la gâche au côté opposé de la porte, en alignant les deux trous de la gâche avec les deux trous au centre opposé de la porte. Retirer les deux obturateurs (certains modèles) et fixer la gâche à nouveau avec les deux vis.

**Pour le modèle avec encadrement en bois personnalisé, passer à l'étape 21.**

- Soulever la porte ou l'encadrement en acier inoxydable par le côté opposé à celui où se trouvait antérieurement la serrure de la porte et insérer la serrure à partir du devant. Tenir la serrure en place et rabaisser doucement la porte ou l'encadrement en acier inoxydable.

*Modèle avec encadrement en noir ou blanc :* Utiliser la clé à douille profonde de 15 mm.

*Encadrement en acier inoxydable :* Utiliser la clé ouverte de 15 mm.

Remonter l'écrou de retenue de la serrure de la porte sur la serrure. Observer l'étape 15 avant de serrer l'écrou de la serrure de la porte.

- Remonter la vis Phillips, la rondelle-frein et la came de la serrure dans la serrure dans l'ordre inverse à celui de leur démontage. Positionner la came de la serrure de la porte afin qu'elle se dirige vers le haut à la partie supérieure de la porte. S'assurer que le trou de serrure sur le devant se trouve bien vertical. Serrer légèrement la vis Phillips pour fixer l'ensemble de la serrure. Serrer maintenant l'écrou de retenue de la serrure.

*Modèle avec encadrement en acier inoxydable :* Serrer maintenant l'écrou de retenue.

*Modèle avec encadrement noir ou blanc :* Faire un repère de l'alignement de la serrure de la porte puis retirer la vis Phillips et la came de la serrure. Serrer maintenant l'écrou de retenue puis remonter la came de la serrure et la vis Phillips.

**Les étapes 16 à 19 sont prévues pour l'encadrement en acier inoxydable seulement. S'il s'agit de l'inversion de la porte sur un modèle avec encadrement noir ou blanc, passer à l'étape 20.**

- En utilisant le tournevis Phillips, retirer la vis Phillips de la serrure de la porte, à l'extrémité de la rallonge de la serrure de la porte et retirer la came de la serrure. Mettre la came de la serrure de côté pour être remontée

ultérieurement. Fixer la rallonge de serrure à nouveau à la serrure avec la vis Phillips.

- Poser le devant de l'encadrement en acier inoxydable sur une surface lisse. Aligner la porte en verre en la posant sur l'encadrement en acier inoxydable afin que la rallonge de la serrure passe dans le trou de la porte en verre, se trouvant au côté opposé à celui qu'occupait la serrure à l'origine. Rechercher les trous de montage de la porte en verre et aligner ces trous avec les écrous soudés de l'encadrement. Utiliser les dix vis retirées à l'étape 9 pour fixer à nouveau l'encadrement en acier inoxydable à la porte en verre.
- Retirer la vis Phillips de la serrure et remonter la came de la serrure sur la rallonge de la serrure et la fixer à nouveau.
- Vérifier que la serrure tourne facilement d'un quart de tour, de l'axe vertical à l'axe horizontal.
- Remonter le joint de la porte en le réintroduisant dans la rainure de la porte. S'assurer que le joint de la porte est correctement installé sur toute sa longueur. Au besoin, utiliser le petit tournevis à lame plate pour enfoncer la partie avec arpillons du joint dans la rainure.
- Reprendre les deux charnières enlevées du côté droit du cellier à vin. Insérer l'axe de charnière dans la charnière qui était à l'origine au-dessus de la porte et le serrer bien. Cette charnière va maintenant à la partie inférieure et à gauche de la caisse.
- Retirer les six obturateurs en plastique des trous de montage de la charnière gauche.
- En utilisant le tourne-écrou de  $\frac{5}{16}$  po, installer les charnières sur le côté gauche du cellier à vin en utilisant les six vis hex. de  $\frac{5}{16}$  po, préalablement mises de côté. Bien serrer les vis.
- Installer le panneau personnalisé pour encadrement en bois (certains modèles, se reporter à la page 25).
- Soulever doucement la porte et la placer sur l'ensemble de charnière/axe de charnière inférieure. S'assurer que la rondelle plastique se trouve bien installée sur la charnière inférieure avant d'y poser la porte.
- En utilisant la clé Allen de  $\frac{1}{8}$  po, fixer la porte à la charnière supérieure avec l'axe de charnière de type Allen.
- S'assurer que la porte s'ouvre et se ferme librement, que le joint se trouve correctement disposé sur tout son pourtour et que la lampe s'allume et s'éteint à l'ouverture et à la fermeture de la porte.
- Confirmer que la serrure de la porte puisse être tournée d'un quart de tour de l'axe vertical à l'axe horizontal et que cette serrure verrouille bien la porte.
- Remettre tous les obturateurs.
- Rebrancher le cellier à vin. Remettre le bouton de commande à la position précédente.

# Installation (suite)

## Préparation de l'encadrement pour porte en bois personnalisé

### Poignée personnalisée

1. Une poignée personnalisée (non fournie) doit être installée.
2. Percer des avant-trous dans le panneau personnalisé selon la poignée. Lamer les trous à l'arrière du panneau.
3. Fixer la poignée personnalisée à l'ensemble de panneau de porte avant.

**REMARQUE :** Les vis de la poignée personnalisée doivent passer au travers du panneau personnalisé et être vissées dans la poignée personnalisée. La tête des vis doit être logée dans la partie fraisée de la surface du panneau afin qu'elles ne dépassent pas et qu'elles n'entrent pas en contact avec la porte du cellier à vin.

### Dimensions de l'encadrement pour porte en bois

Largeur hors tout : .....59,5 cm ( $23\frac{7}{16}$  po)

Avec une plinthe de 3 po (8,9 cm) : .....77 cm ( $30\frac{5}{16}$  po)

Avec une plinthe de 4 po (10,2 cm) : .....75,7 cm ( $29\frac{13}{16}$  po)

Largeur minimale de l'encadrement de porte recouvrant l'extrusion de la porte : .....4,4 cm ( $1\frac{29}{32}$  po)

Épaisseur : .....1,6 to 1,9 cm ( $\frac{5}{16}$  po à  $\frac{3}{4}$  po) maximum

### Vis à bois

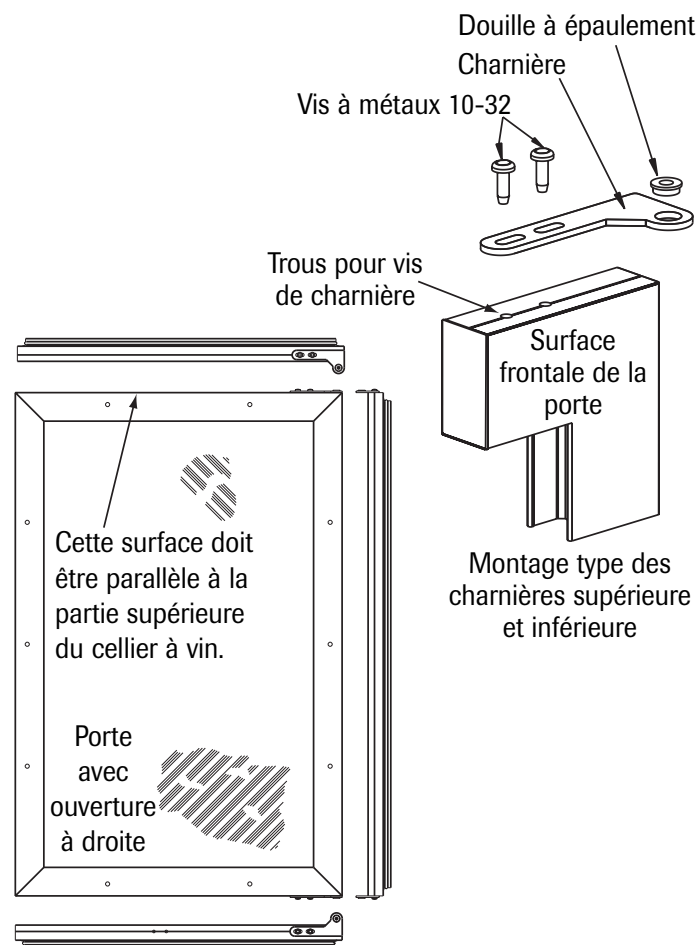
1. Des vis à bois à tête cylindrique large n° 8 sont recommandées pour correctement fixer le panneau en bois personnalisé à la porte du cellier à vin.
2. Au total, dix vis sont nécessaires quand la plinthe est de 8,9 cm ( $3\frac{1}{2}$  po) ou huit quand la plinthe est de 10,2 cm (4 po).
3. N'utiliser que des vis à tête cylindrique large.
4. S'assurer que la longueur des vis **N'est PAS** supérieure à l'épaisseur du panneau en bois là où les vis sont installées.
5. Pour le matériau de l'encadrement, utiliser des forets pour avant-trous de dimensions suivantes.

Type de bois	Dimensions du foret pour avant-trou (vis à bois à tête cylindrique large n° 8)
Dur	0,24 cm ( $\frac{3}{32}$ po)
Tendre	0,20 cm ( $\frac{5}{64}$ po)

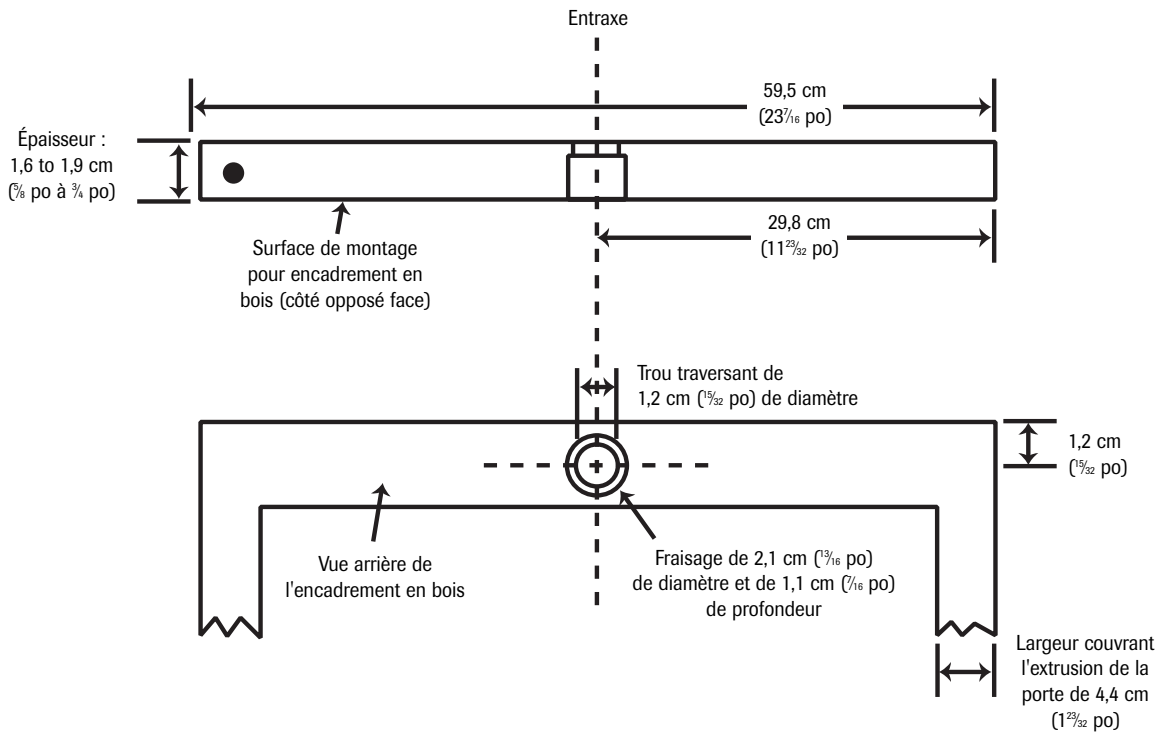
## Montage des supports de charnière de porte

**REMARQUE :** Sauter cette étape si les charnières sont déjà montées.

1. Fixer les charnières inférieure et supérieure à la porte avec les vis à métaux 10-32 et en utilisant une clé Allen de  $\frac{1}{8}$  po comme l'illustre la figure suivante.
2. Mettre une douille à épaulement sur les charnières inférieure et supérieure. S'assurer que l'épaulement se trouve à l'extérieur de la porte comme l'illustre la figure suivante.
3. Faire un essai pour s'assurer que la porte est bien installée. La porte est correctement posée quand le haut de celle-ci est parallèle au haut du cellier à vin. Des réglages peuvent être effectués en desserrant les vis à métaux des charnières de la porte et en déplaçant la porte sous la charnière.
4. Serrer les quatre vis à métaux une fois les réglages terminés.
5. Enlever la porte du cellier à vin en retirant l'axe de la charnière supérieure et en inclinant la porte pour ensuite la retirer de l'axe de la charnière inférieure.

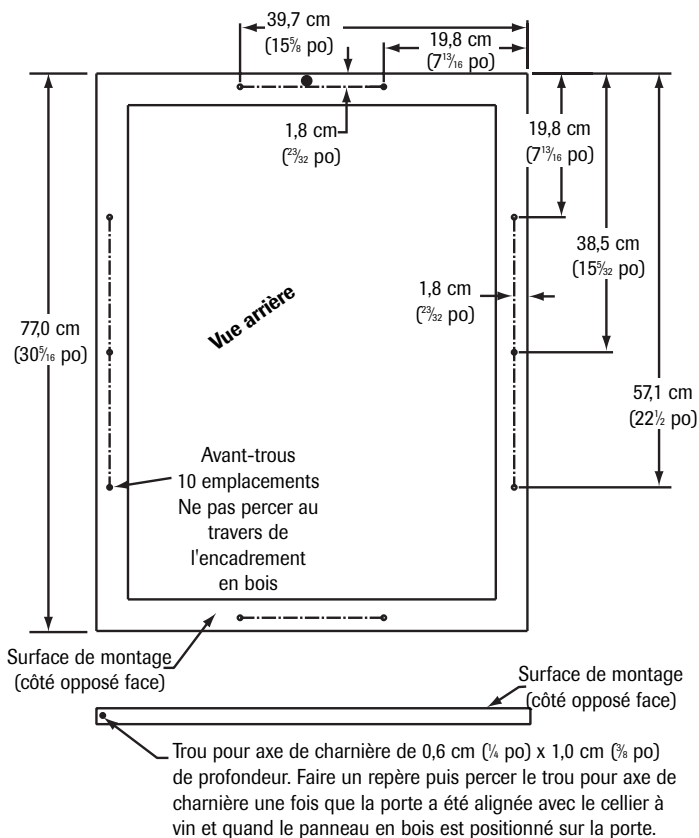


## Détail du trou de serrure

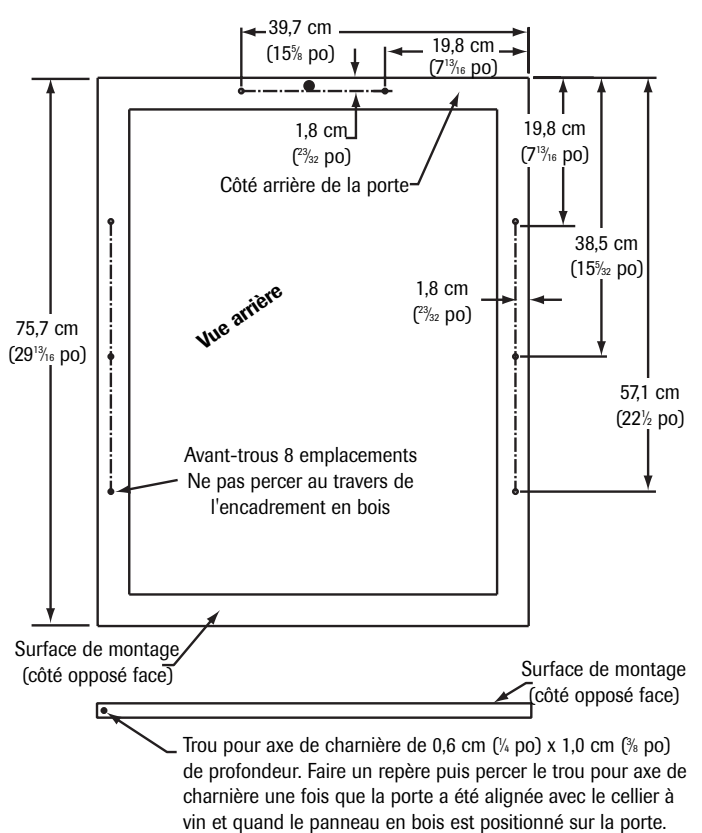


## Préparation de l'encadrement en bois

**Avec une plinthe de 8,9 cm (3 1/2 po)**  
(recouvre toute l'extrusion de la porte)



**Avec une plinthe de 10,2 cm (4 po) en option**  
(pour faire correspondre la plinthe à celle des armoires existantes)



# Installation (suite)

## Fixation du panneau en bois à la porte du cellier à vin

### ⚠ AVERTISSEMENT

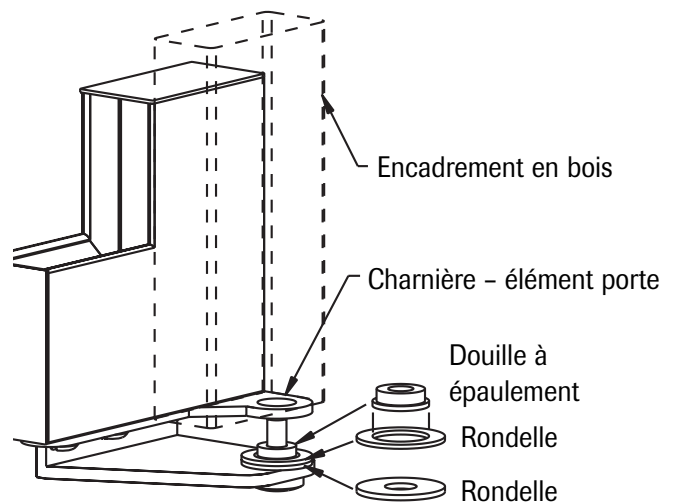
- Pour éviter les charges électriques qui peuvent entraîner des blessures graves ou la mort, débrancher le cellier à vin avant d'installer l'encadrement en bois.

### ⚠ ATTENTION

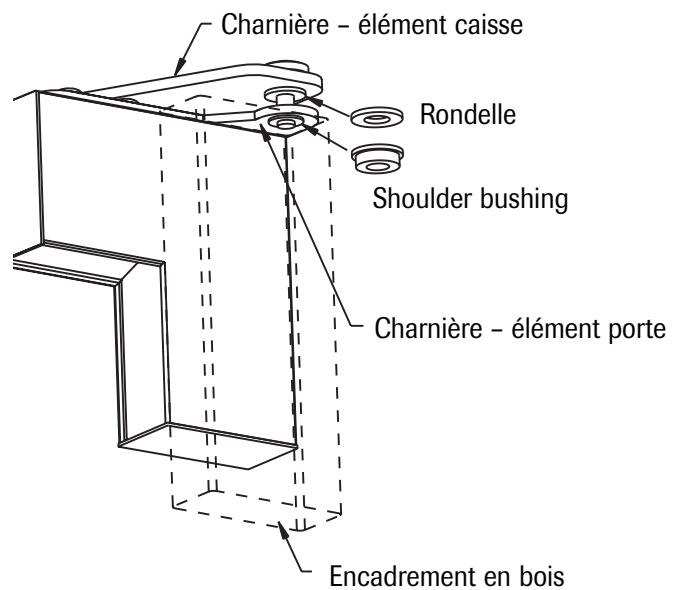
- La porte peut se défaire si les rondelles ne sont pas installées.
- La porte peut mal se fermer ou mal s'ouvrir si toutes les pièces en nylon ne sont pas installées comme il est illustré.

1. Si la porte est fixée au cellier à vin, l'enlever en dévissant l'axe (vis Allen) de charnière supérieure. Retirer la porte en l'inclinant puis en la retirant de l'axe de charnière inférieure.

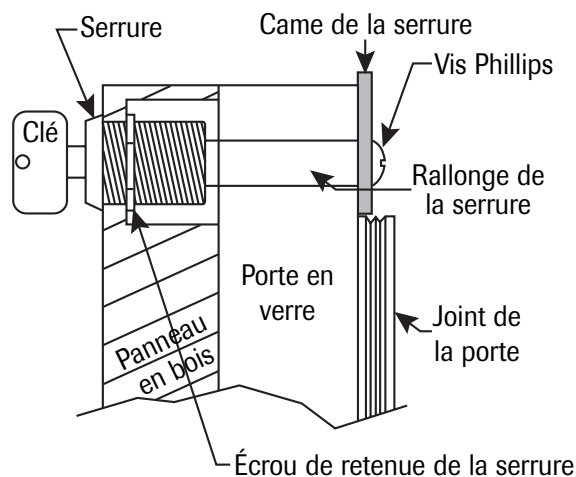
### Coin inférieur avec charnière



### Coin supérieur avec charnière

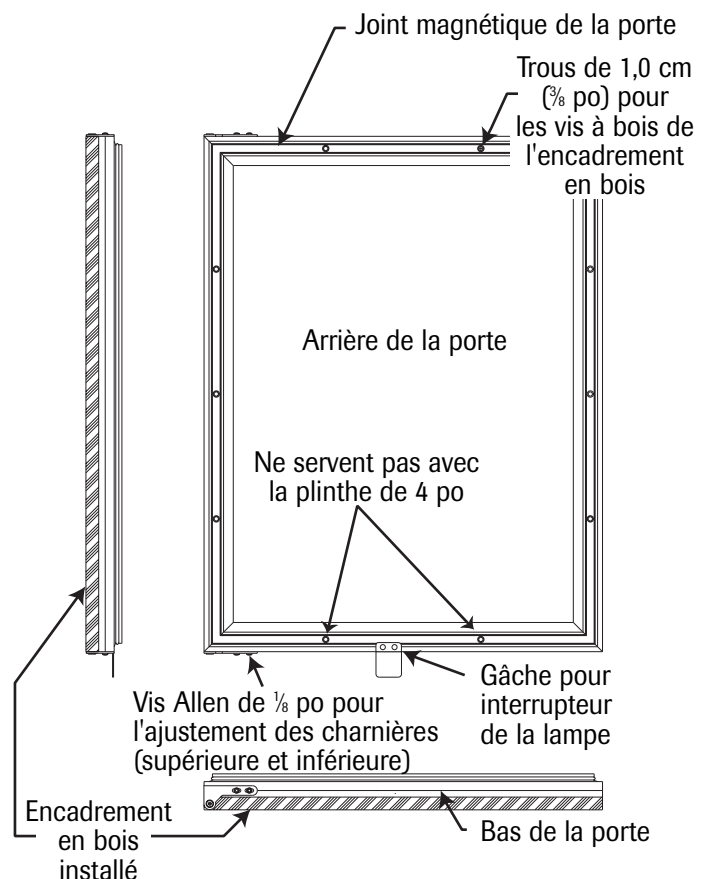


2. Installer, dans le panneau en bois, la serrure fournie. L'ensemble de clé et de serrure est fourni avec le cellier à vin. Fixer la serrure avec l'écrou de retenue de 15 mm fourni et en le vissant sur la partie filetée de la serrure. S'assurer que le trou de serrure se trouve à la verticale; ensuite, serrer l'écrou de 15 mm avec une clé à douille profonde de 15 mm.



3. Retirer le joint en le pelant de l'arrière de la porte en verre pour obtenir l'accès aux trous des vis utilisés pour monter l'encadrement en bois et au trou pour la rallonge de la serrure à la partie supérieure de la porte.
4. Placer le panneau en bois personnalisé sur une surface non abrasive, comme des serviettes ou un tapis, afin d'éviter d'endommager accidentellement le fini de la porte.
5. Mettre l'encadrement en bois en affleurement avec l'avant de la porte à la position voulue; fixer cet encadrement avec des serre-joints à la porte, si cela est nécessaire. Vérifier que l'arrière de la serrure se trouvant dans l'encadrement en bois s'aligne avec le trou de la porte.
6. Passer les vis à bois par l'arrière de la porte et les mettre dans les avant-trous de l'encadrement en bois et les serrer.
7. Installer la vis Phillips de la serrure, la rallonge de la serrure, la came de la serrure et les monter sur l'arrière de la serrure. Positionner la came de la serrure afin qu'elle se dirige vers le haut à la partie supérieure de la porte. Serrer la vis Phillips pour fixer l'ensemble de la serrure.

8. Remonter le joint de la porte en le poussant dans sa rainure. S'assurer que les coins se trouvent correctement et complètement insérés. Introduire la clé dans la serrure et s'assurer qu'elle tourne correctement.
9. Installer la porte sur le cellier à vin. Utiliser les rondelles (si elles sont fournies) comme il est indiqué à la page 27.
10. Aligner à nouveau la porte si cela est nécessaire. Les derniers ajustements de la porte peuvent être effectués avec une clé Allen de  $\frac{1}{8}$  po pour ajuster les charnières (voir figure ci-dessous).
11. Installer la porte sur le cellier à vin en observant les directives de l'étape 1 ci-dessus dans l'ordre inverse.
12. S'assurer que la porte s'ouvre et se ferme correctement, que le joint soit correctement disposé et que la lampe s'allume et s'éteint avec l'ouverture et la fermeture de la porte.
13. Confirmer que la serrure tourne d'un quart de tour de l'axe vertical à l'axe horizontal et qu'elle maintient la porte bien fermée.
14. Rebrancher le cellier à vin. Remettre le bouton de commande au réglage précédent.





# Installation (suite)

## Porte-bouteilles

Le cellier à vin comporte des porte-bouteilles coulissants vers le milieu et au niveau inférieur. Les deux porte-bouteilles supérieurs sont fixes.

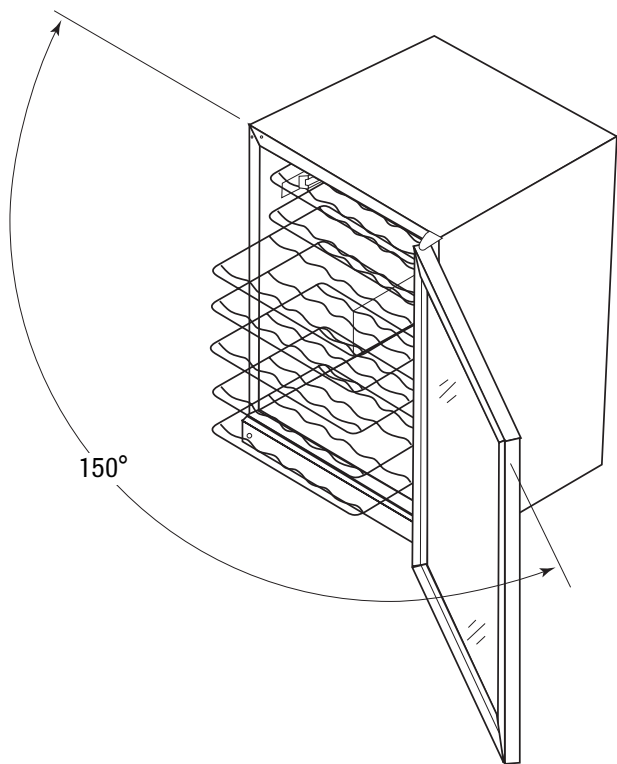
Pour tirer les porte-bouteilles du cellier à vin, la porte doit être suffisamment ouverte à un angle minimum de 150°.

Avant de terminer l'installation, vérifier que le cellier à vin se trouve à un endroit qui permet à la porte de s'ouvrir suffisamment afin de pouvoir tirer les porte-bouteilles si cela est voulu. Une solution est d'inverser l'ouverture de la porte pour permettre la possibilité de tirer les porte-bouteilles.

Une autre option est de garder le cellier à vin légèrement en avant par rapport au devant des armoires pour permettre une ouverture plus grande de la porte.

### ATTENTION

- Ne pas essayer d'enlever un porte-bouteilles quand celui-ci est chargé de bouteilles. Enlever toujours les bouteilles avant de retirer le porte-bouteilles de la caisse.



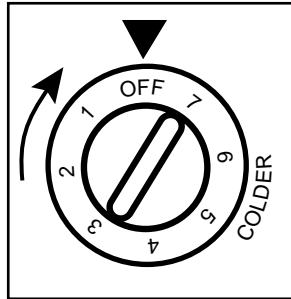
# Fonctionnement

## 1. Réglage de la commande :

Les différents réglages vont de un à sept, ce qui donne une plage de températures allant d'environ 4 à 18 °C (40 à 65 °F).

Utiliser une pièce de monnaie pour tourner la commande dans le sens horaire, la première fois, jusqu'au réglage moyen (4) du thermostat.

Attendre au moins 48 heures pour que la température se stabilise à l'intérieur du cellier à vin avant de faire de nouveaux réglages.

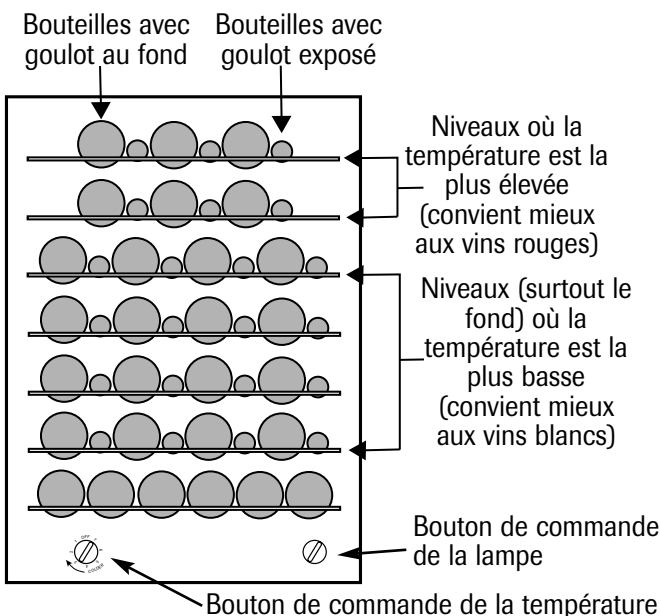


Le réglage moyen (4) donne une température approximative de 13 °C (55 °F), ce qui convient à une conservation à long terme de toutes sortes de vins.

Le réglage le plus froid (7) donne une température d'environ 7 °C (45 °F), ce qui convient aux vins blancs destinés à être servis.

La température peut être ajustée en tournant la commande dans le sens horaire pour des températures plus basses ou dans le sens antihoraire pour des températures plus élevées.

**2. Disposition des bouteilles à vin:** Les deux porte-bouteilles supérieures contiennent chacun six bouteilles, en position alternée. Les quatre porte-bouteilles centraux contiennent chacun huit bouteilles, en position alternée. Le porte-bouteilles inférieur en contient six, le goulot des bouteilles étant au fond du cellier. Les bouteilles hautes ne doivent pas être mises sur le porte-bouteilles inférieur étant donné qu'elles peuvent empêcher la bonne fermeture de la porte.



## Conseils et suggestions :

1. Comme pour la plupart des produits de réfrigération, il existe une légère différence de température selon l'endroit à l'intérieur du cellier à vin.

Les zones où la température est la plus basse se trouvent à l'arrière des quatre porte-bouteilles centraux. L'avant de ces porte-bouteilles est généralement de quelques degrés plus élevés que le fond du cellier.

L'emplacement où la température est la plus élevée, en général, est celui des deux porte-bouteilles supérieurs. Cette zone est à une température de 1,5 à 4 °C (3 à 7 °F) plus élevée.

2. Disposer les vins blancs sur les porte-bouteilles inférieurs et du milieu et les vins rouges sur les porte-bouteilles supérieurs.
3. Fermer la lumière quand elle n'est pas nécessaire, étant donné que les bouteilles exposées à une lumière seront soumises à une température légèrement plus élevée.
4. Mettre les vins que l'on veut garder pour longtemps vers l'arrière des porte-bouteilles.
5. Mettre les vins qui feront l'objet d'une consommation prochaine sur la moitié avant du porte-bouteilles là où les étiquettes sont plus faciles à lire.
6. Les magnums et autres grosses bouteilles peuvent être entreposés aux emplacements supérieurs gauche et droit du cellier à vin ou sur n'importe lequel des porte-bouteilles centraux, et ce en retirant le porte-bouteilles se trouvant immédiatement au-dessus.

# Caractéristiques

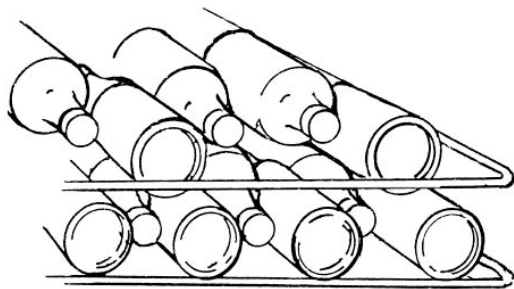
- **Commande de réglage de la température :** La commande de température se règle entre environ 4 et 18 °C (40 et 65 °F). Cette plage de température offre diverses possibilités de conservation à des températures voulues et à celles convenant le mieux à une variété de vins rouges, de vins blancs et de mousseux.
- **Lampe intérieure :** Le bouton de commande de la lampe est situé à l'avant, à la partie inférieure du cellier à vin, dans la zone de la plinthe.

La lampe s'allume automatiquement à son intensité maximale chaque fois que la porte est ouverte, pour rendre plus facile la lecture des étiquettes.

Pour mieux voir la présentation de la collection de bouteilles de vin, alors que la porte est fermée, tourner le bouton de commande de la lampe (voir page 30).

**REMARQUE :** Quand le bouton est tourné à fond dans le sens antihoraire, la lampe est éteinte si la porte est fermée. À la position maximale à droite (sens horaire), la lampe reste allumée continuellement. Le bouton peut être mis à toute position intermédiaire pour obtenir un niveau d'éclairage voulu. La caractéristique de gradation affecte la lampe, seulement quand la porte est fermée. La lampe est toujours à son intensité maximale quand la porte est ouverte.

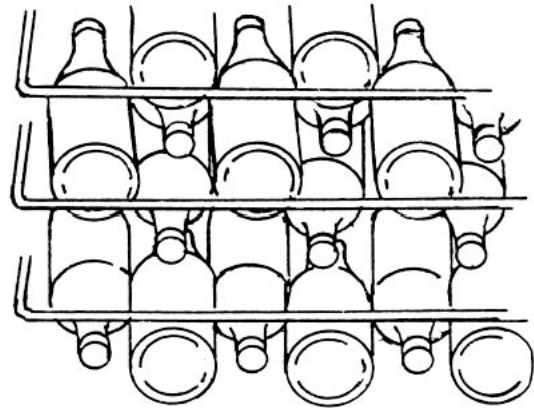
Ne pas oublier de fermer la lumière quand elle n'est plus souhaitée.



- **Porte-bouteilles coulissants :** Les quatre porte-bouteilles centraux peuvent être tirés d'environ 15 cm (6 po) pour permettre la manutention de bouteilles.

## ⚠ ATTENTION

- Ne pas essayer d'enlever un porte-bouteilles quand celui-ci est chargé de bouteilles. Enlever toujours les bouteilles avant de retirer le porte-bouteilles.



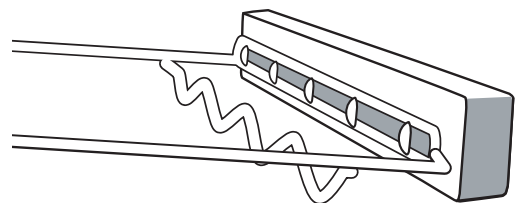
- **Porte-bouteilles simples :** Étant donné que les bouteilles ne sont pas empilées les unes sur les autres, vous pouvez facilement voir votre stock et y accéder sans avoir à déplacer d'autres bouteilles.
- **Serrure :** Pour mettre votre collection de vin sous verrou, le cellier à vin peut être verrouillé. Utiliser la clé éjectable qui a été expédiée avec votre appareil pour verrouiller la porte.

**REMARQUE :** La serrure est conçue de telle manière que la clé ne peut pas rester insérée dans la serrure.

- **Devants de porte-bouteilles en bois :** Il existe quatre devants en érable massif non fini, fournis avec le cellier à vin. La finition de ces devants peut être assortie avec vos armoires. Suivre les directives fournies par le fabricant de teinture.

**REMARQUE :** Souvent, les teintures ou les produits de finition ont une certaine odeur qui peut gêner en un endroit fermé.

**Installation :** Mettre un devant de porte-bouteilles sur chacun des quatre porte-bouteilles centraux. Aligner les trous de la pièce en bois avec le devant du porte-bouteilles et serrer doucement les vis.



# Entretien et nettoyage

## Nettoyage

### ⚠ AVERTISSEMENT

- Pour éviter tout choc électrique pouvant entraîner de graves blessures ou même la mort, débranchez le cellier à vin avant de le nettoyer.
- **Condenseur** : Le tube de condenseur à l'intérieur du cellier à vin ne nécessite pas un nettoyage fréquent. Cependant, un refroidissement satisfaisant dépend d'une ventilation appropriée sur les serpentins. S'assurer qu'il n'y ait rien qui puisse gêner le mouvement d'air nécessaire au niveau des ouvertures à l'avant du cellier à vin. À l'aide d'une brosse ou avec un aspirateur, enlever au moins deux fois par an toute la charpie ou la saleté pouvant se trouver sur le condenseur afin de maintenir une performance optimale. Pour cela, dévisser la grille, sur le devant au bas du cellier à vin.
- **Cellier à vin** : La caisse peinte peut être lavée avec une solution d'eau légèrement savonneuse, puis bien rincée avec de l'eau propre. Ne jamais utiliser de poudre à récurer abrasive.
- **Encadrement de porte en acier inoxydable** : Utiliser un chiffon doux ou une éponge. Le passer dans le sens du grain de l'acier inoxydable. Utiliser une solution d'eau légèrement savonneuse pour les petites salissures; Bon Ami\* pour les salissures modérées ou le nettoyant Cameo Stainless Steel Cleaner\* en cas de décoloration de l'acier inoxydable. Ne pas utiliser d'agent de blanchiment chloré ou de produit contenant un tel agent sur l'acier inoxydable.  
Après le nettoyage, rincer et laisser sécher. Pour redonner du brillant et éliminer les marques, utiliser alors le produit Stainless Steel Magic Spray\* (Jenn-Air modèle A912, pièce numéro 20000008).
- **Intérieur** : Laver le compartiment intérieur avec une solution d'eau légèrement savonneuse. Ne pas utiliser une poudre abrasive, du solvant, un nettoyant à polir, ou du détergent non dilué.
- **Porte en verre** : Utiliser un nettoyant pour verre ou de l'eau légèrement savonneuse ainsi qu'un chiffon doux pour nettoyer la porte en verre. Ne pas utiliser de poudre abrasif.
- **Joint de la porte** : Le joint en vinyle peut être nettoyé avec une solution d'eau légèrement savonneuse ou avec une solution comportant deux cuillères à soupe de bicarbonate de soude pour 1 litre (une pinte) d'eau chaude.

\* Les noms de marque des produits de nettoyage sont des marques déposées des différents fabricants.

## Remplacement de l'ampoule

### ⚠ AVERTISSEMENT

- Pour éviter tout choc électrique pouvant entraîner de graves blessures ou même la mort, débranchez le cellier à vin avant de remplacer l'ampoule. Après le remplacement de l'ampoule, rebranchez le cellier à vin.

### ⚠ ATTENTION

Pour éviter blessure ou dommage matériel, observez les points suivants :

- Laissez l'ampoule se refroidir.
- Portez des gants lorsque vous remplacez une ampoule.

Le cellier à vin utilise une ampoule de 15 watts à culot intermédiaire. L'ampoule est située à l'intérieur du cabochon. Le cabochon se trouve au plafond du cellier à vin et est retenu par trois vis. Retirer les trois vis et le cabochon pour enlever l'ampoule. Ne pas utiliser une ampoule de plus de 15 watts.

## En cas de coupure de courant

Si le courant est coupé, ouvrir la porte le moins souvent possible afin de maintenir la température basse. Une augmentation graduelle de la température ne devrait pas avoir un effet néfaste sur le vin.

S'il fait extrêmement chaud, on peut mettre le vin dans l'emplacement le plus frais jusqu'au moment où le courant est restauré.

# Avant de contacter un réparateur

Avant d'appeler un réparateur, consulter le tableau ci-dessous. Ce tableau présente des problèmes possibles que l'on peut résoudre soi-même, sans difficulté, ce qui vous évite ainsi d'avoir à appeler pour du service après-vente.

PROBLÈME	Cause/solutions possibles
Odeur dans le cellier à vin	<ul style="list-style-type: none"><li>• Un nettoyage de l'intérieur du cellier à vin est nécessaire.</li></ul>
Fonctionnement bruyant	<ul style="list-style-type: none"><li>• Le cellier à vin n'est pas de niveau.</li><li>• Le sol est instable.</li></ul>
Le cellier à vin vibre	<ul style="list-style-type: none"><li>• Le cellier à vin n'est pas de niveau.</li><li>• Le sol est instable.</li></ul>
La lampe du cellier à vin ne fonctionne pas	<ul style="list-style-type: none"><li>• L'ampoule est grillée.</li><li>• Il n'y a pas de courant au niveau de la prise.</li></ul>
L'appareil ne fonctionne pas	<ul style="list-style-type: none"><li>• La commande de température est sur « OFF » (ARRÊT).</li><li>• La fiche du cordon d'alimentation n'est pas branchée.</li><li>• Il n'y a pas de courant au niveau de la prise.</li><li>• Fusible sauté ou disjoncteur déclenché.</li></ul>
L'appareil fonctionne pendant de longues durées	<ul style="list-style-type: none"><li>• La porte reste ouverte trop longtemps.</li><li>• Le bouton de commande se trouve sur un réglage trop élevé.</li><li>• Un nettoyage du condenseur est nécessaire.</li></ul>
L'intérieur est humide	<ul style="list-style-type: none"><li>• La porte est trop souvent ouverte.</li><li>• Le temps chaud et humide augmente la condensation.</li></ul>
La surface extérieure de l'appareil est humide	<ul style="list-style-type: none"><li>• Le temps chaud et humide augmente la condensation. L'humidité diminuera quand l'humidité ambiante diminuera.</li><li>• Bouton de commande mal réglé.</li></ul>
L'intérieur est trop chaud/ trop froid	<ul style="list-style-type: none"><li>• Bouton de commande mal réglé.</li><li>• Un thermomètre défectueux est utilisé pour vérifier la température.</li><li>• Mettre le thermomètre au centre du cellier à vin et vérifier à nouveau.</li></ul>

Si vous avez besoin de service après-vente, communiquez avec le détaillant ou le fabricant. Indiquez dans toute correspondance, le numéro de modèle et le numéro de série du cellier à vin qui se trouvent à l'intérieur du cellier à vin, à gauche en haut. Conservez votre preuve d'achat. Inscrivez ces numéros dans l'espace prévu à cette fin à la page 19.

## Garantie complète d'une année

Durant une période **d'un (1) an** à compter de la date de l'achat initial, toute pièce qui se révélerait défectueuse dans des conditions normales d'usage ménager, sera réparée ou remplacée gratuitement.

## Garantie limitée – Principaux éléments du système de réfrigération

**Deuxième à cinquième année** – Après la première année suivant la date de l'achat initial, jusqu'à la fin de la cinquième année, le fabricant réparera ou remplacera, à son choix, gratuitement pour les pièces et la main-d'œuvre (seulement), toute pièce du système de réfrigération scellé (comprenant le compresseur, l'évaporateur, le condenseur, le déshydrateur et la tubulure) qui se révéleraient défectueuses dans des conditions normales d'usage ménager. Le cas échéant, le propriétaire devra assumer tous les frais de déplacement, de transport, de diagnostic et le kilométrage.

## Garantie limitée – Autres pièces

**Deuxième année** – Les pièces autres que les principaux éléments du système de réfrigération, qui se révéleraient défectueuses dans des conditions normales d'usage ménager durant la deuxième année suivant la date de l'achat initial, seront réparées ou fournies gratuitement pour la pièce elle-même. Le propriétaire devra assumer tous les autres frais, y compris la main-d'œuvre, les frais de déplacement, de transport, de diagnostic et le kilométrage.

**REMARQUE:** Cette garantie complète et les garanties limitées ne s'appliquent qu'à un produit de réfrigération situé aux États-Unis ou au Canada. Les produits de réfrigération situés ailleurs ne sont couverts que par les garanties limitées, y compris dans le cas de pièces qui se révéleraient défectueuses la première année.

## LIMITES DE RESPONSABILITÉ

Le garant ne sera responsable d'aucun dommage secondaire ou indirect, y compris perte de produits alimentaires. Certains états ou provinces ne permettent pas l'exclusion ou la limitation des dommages secondaires ou indirects; par conséquent, les limitations ou exclusions ci-dessus peuvent ne pas s'appliquer à votre cas.

*Les garanties spécifiques formulées ci-dessus sont les **SEULES** que le fabricant accorde. Cette garantie vous confère des droits juridiques spécifiques et vous pouvez également jouir d'autres droits, variables d'un état à un autre ou d'une province à une autre.*

## Service en vertu de la garantie :

Pour localiser une entreprise de service après-vente agréée dans votre région, contactez le détaillant Jenn-Air où le cellier à vin a été acheté ou encore contactez le service à la clientèle Jenn-Air, Maytag Services<sup>SM</sup>, au numéro indiqué ci-dessous. Si les prestations de garantie ne vous donnent pas satisfaction, veuillez appeler ou écrire à :

Maytag Services<sup>SM</sup>

Attn: Jenn-Air CAIR<sup>®</sup> Center

P.O. Box 2370

Cleveland, TN 37320-2370

**É.-U. et CANADA : 1-800-JENNAIR (1-800-536-6247)**

**Pour les clients, aux É.-U.,  
présentant un handicap de**

**l'audition ou de l'élocution, .....1-800-688-2080**

**REMARQUE :** Lors de toute communication écrite ou par téléphone au sujet d'un problème de service après-vente non résolu, veuillez fournir les renseignements suivants :

- vos nom, adresse et numéro de téléphone;
- numéros de modèle, de série et de révision;
- nom et adresse du détaillant et date d'achat;
- description claire du problème rencontré;
- preuve d'achat (coupon de caisse).

## Ne sont pas couverts par cette garantie :

1. Les dommages ou dérangements dus à :
  - a. Mise en service, livraison ou entretien effectués incorrectement.
  - b. Toute réparation, modification, altération et tout réglage non autorisés par le fabricant ou par un prestataire de service après-vente agréé.
  - c. Accidents, mauvaise utilisation ou usage abusif ou déraisonnable.
  - d. Alimentation électrique (tension, intensité) incorrecte.
  - e. Réglage incorrect d'une commande.
2. Les garanties ne peuvent être honorées si les numéros de série d'origine ont été enlevés, modifiés ou ne sont pas facilement lisibles.
3. Ampoules.
4. Appareils achetés aux fins d'usage commercial ou industriel.
5. Les frais de visite d'un prestataire de service ou de service après-vente encourus pour les raisons suivantes :
  - a. Correction d'erreurs de mise en service.
  - b. Initiation de l'utilisateur à l'emploi de l'appareil.
  - c. Transport de l'appareil aux locaux du prestataire de service.
6. Dommages secondaires ou indirects subis par toute personne suite au non-respect de la garantie.

Certains états ou provinces ne permettent pas l'exclusion ou la limitation des dommages secondaires ou indirects; par conséquent, les limitations ou exclusions ci-dessus peuvent ne pas s'appliquer à votre cas.

Les guides de l'utilisateur, les manuels de service et l'information sur les pièces sont disponibles auprès du service à la clientèle

Maytag, Services<sup>SM</sup>, Jenn-Air Customer Assistance.

Jenn-Air • 403 West Fourth Street North • P.O. Box 39 • Newton, Iowa 50208

# GUÍA DEL PROPIETARIO

---

## TABLA DE MATERIAS

Introducción.....	36
Seguridad.....	37
Instalación.....	38-46
Funcionamiento.....	47
Características.....	48
Cuidado y Limpieza.....	49
Antes de Solicitar Servicio.....	50
Garantía.....	51



# Introducción

Felicitaciones por la compra del enfriador de vinos refrigerado Jenn-Air.

Le agradecemos que haya decidido hacer esta compra y tenemos la seguridad de que se sentirá feliz con este electrodoméstico durante muchos años. Para obtener los mejores resultados, por favor lea atentamente esta guía. Encontrará información sobre las instrucciones para el buen funcionamiento y mantenimiento del enfriador de vinos.

Si usted necesitara ayuda con su enfriador de vinos en el futuro, será muy útil si anota en el espacio provisto a continuación el número completo del modelo y de serie. Estos números se encuentran en una placa de datos situada en el costado superior izquierdo dentro del enfriador de vinos.

Número de Modelo \_\_\_\_\_

Número de Serie \_\_\_\_\_

Fecha de Compra \_\_\_\_\_

Nombre del Distribuidor \_\_\_\_\_

Dirección del Distribuidor \_\_\_\_\_

Teléfono del Distribuidor \_\_\_\_\_

## Información sobre las instrucciones de seguridad

Las advertencias e instrucciones importantes sobre seguridad que aparecen en este manual no están destinadas a cubrir todas las posibles circunstancias y situaciones que puedan ocurrir. Se debe ejercer sentido común, atención y cuidado cuando instale, efectúe mantenimiento o cuando use este electrodoméstico.

Siempre póngase en contacto con su distribuidor, agente de servicio o fabricante si surgen problemas o situaciones que usted no comprenda.

## Antes de solicitar servicio...

Si se presenta algún problema, por favor consulte la sección "Antes de Solicitar Servicio", que ha sido diseñada para ayudarle a resolver problemas básicos antes de llamar a un técnico de servicio.

## ¿Qué sucede si estas características son distintas a las de mi modelo?

Este manual tiene por objeto mostrarle la variedad de características que están disponibles en la línea de productos. Si tiene alguna pregunta, escríbanos (incluya el número de modelo y su número de teléfono) o llame a:

Jenn-Air Customer Assistance

P.O. Box 2370

Cleveland, TN 37320-2370

EE.UU. y Canadá 1-800-JENNAIR

(1-800-536-6247)

1-800-688-2080 (TTY en EE.UU. para personas

con impedimentos auditivos o del habla)

(Lunes a Viernes, 8:00 a.m. – 8:00 p.m.

Hora del Este)

Internet: <http://www.jennair.com>

## Reconozca los símbolos, advertencias y etiquetas de seguridad

### PELIGRO

**PELIGRO** – Riesgos inmediatos que **CAUSARAN** lesión personal grave o mortal.

### ADVERTENCIA

**ADVERTENCIA** – Peligros o prácticas no seguras que **PODRIAN** causar lesión personal grave o mortal.

### ATENCION

**ATENCION** – Peligros o prácticas no seguras que **PODRIAN** causar lesión personal menos grave.



# Instrucciones Importantes de Seguridad

## ⚠ ADVERTENCIA

- Cuando utilice su electrodoméstico, siempre siga las precauciones básicas.

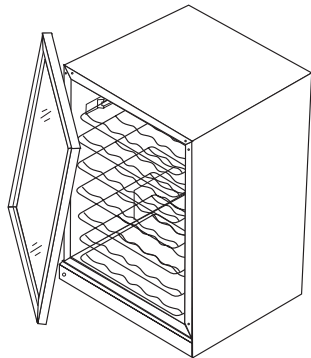
- Use el enfriador de vinos solamente para el propósito que ha sido diseñada.

**NOTA:** Este producto no ha sido diseñado para conservación de alimentos.

- Para evitar la posibilidad de peligro debido a un choque eléctrico, nunca enchufe el enfriador de vinos en un tomacorriente que no haya sido debidamente puesto a tierra según los códigos eléctricos locales y nacionales. Vea la advertencia ⚠ y las instrucciones de puesta a tierra que se indican a continuación.
- Desenchufe el enfriador de vinos antes de la limpieza, cuando se efectúen reparaciones o reemplace un foco.
- En caso de una falla eléctrica, trate de abrir la puerta lo menos posible.
- Si el cordón eléctrico se deshilacha o se daña se debe reparar o reemplazar de inmediato. Nunca tire del cordón eléctrico para desenchufar su electrodoméstico.
- A fin de evitar un peligro de incendio, su enfriador de vinos no debe hacerse funcionar en presencia de gasolina o de otros vapores y líquidos inflamables.
- A fin de evitar lesiones, los niños no deben treparse, colgarse ni pararse en este enfriador de vinos.

**PELIGRO:** Los problemas de atrapamiento y asfixia de los niños no han quedado relegados al pasado. Los productos de refrigeración desechados o abandonados aún son peligrosos...aunque solo se dejen "por unos días". Si va a deshacerse de sus productos de refrigeración antiguos, por favor siga las siguientes instrucciones para ayudar a prevenir los accidentes.

- Retire las puertas.
- Deje las parrillas en su lugar para que los niños no puedan entrar fácilmente.

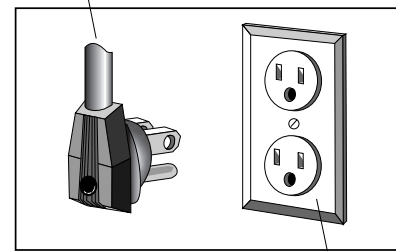


## ⚠ ADVERTENCIA

- Este electrodoméstico ha sido diseñado para funcionar con una fuente de energía normal de 115 voltios, 15 amperios, 60 Hz. Se recomienda usar un circuito separado y puesto a tierra exclusivamente para este artefacto. No use un cordón de extensión. No use ningún dispositivo que pueda afectar el rendimiento eléctrico de este artefacto.

Este electrodoméstico está equipado con un enchufe de tres clavijas con puesta a tierra para su protección contra el posible peligro de sufrir choques eléctricos. Debe ser enchufado en un tomacorriente puesto a tierra. Si solo se dispone de un tomacorriente estándar para enchufe de dos clavijas, el cliente tiene la responsabilidad y obligación de reemplazarlo por un tomacorriente para enchufe de tres clavijas debidamente puesto a tierra. Por ningún motivo corte o retire la tercera clavija (tierra) del cable eléctrico. **No use un adaptador.**

Cordón eléctrico con enchufe de tres clavijas con puesta a tierra



Tomacorriente mural del tipo con puesta a tierra

## ⚠ ADVERTENCIA

- Este enfriador de vinos, bajo ninguna circunstancia, debe usarse sin tener conexión a tierra.

**Conserve estas instrucciones para referencia futura**

# Instalación

## Materiales necesarios

- Llave Allen de  $\frac{1}{8}$ "
- Llave de Cubo de  $\frac{5}{16}$ "
- Destornillador Phillips
- Espátula
- Nivel de Carpintero

## Selección del lugar

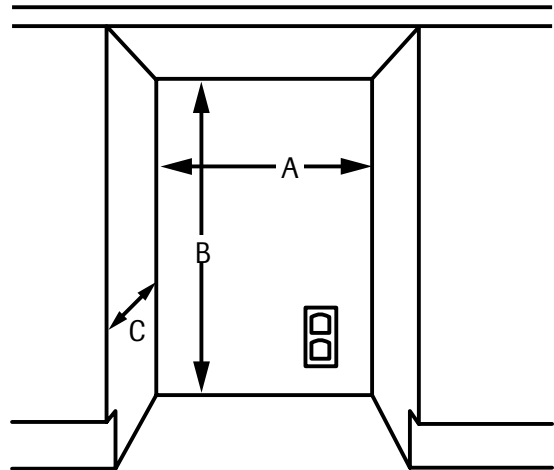
El enfriador de vinos ha sido diseñado para ser instalado debajo de la mesada. Su ubicación en el lugar apropiado asegurará máximo rendimiento. Seleccione un lugar en el interior, alejado del calor y fuera de la luz solar directa. Su mejor rendimiento se mantendrá cuando se instale dentro de los siguientes parámetros:

### Límite de Temperatura Ambiente Ideal

Empotrado.....65 - 80° F  
(18 - 27° C)

Es necesario determinar los requerimientos eléctricos antes de colocar el enfriador de vinos en su ubicación final (ver página 37).

## Dimensiones de la cavidad entre los armarios



CAVIDAD DEBAJO DE LA MESADA	
<b>A</b>	24" (61 cm)*
<b>B</b>	Mín. 34½" (87,6 cm) Máx. 35¼" (89,5 cm)
<b>C</b>	24⅞" (61,27 cm)

\* Si la puerta va a quedar embutida entre los armarios, la cavidad para el gabinete debe medir 24¼" (61,6 cm).

## Despeje del gabinete

Para un funcionamiento eficiente, es necesario que exista ventilación desde la sección delantera inferior del enfriador de vinos. Mantenga esta área abierta y libre de obstrucciones.

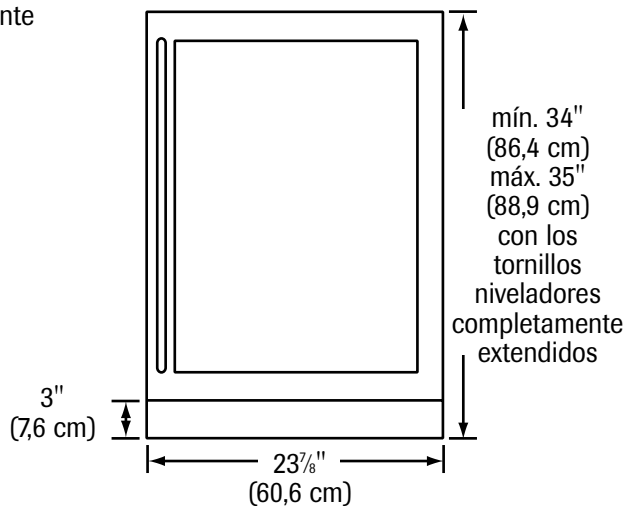
Los armarios adyacentes y la mesada pueden ser construidos alrededor del enfriador de vinos siempre que no se instale la moldura superior ni la mesada más abajo que la bisagra superior.

La instalación debe permitir que el enfriador de vinos pueda ser movido en caso de que necesite ser reparado.

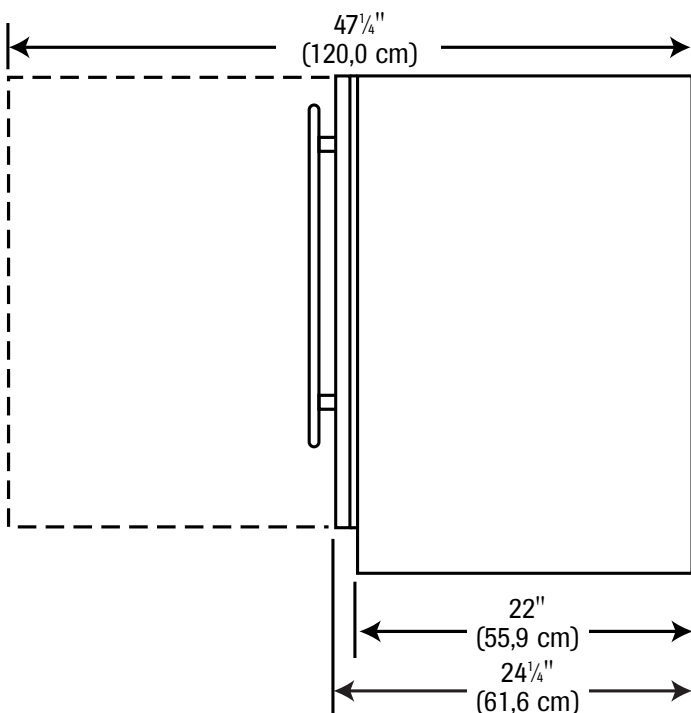
# Instalación, cont.

## Dimensiones

Frente



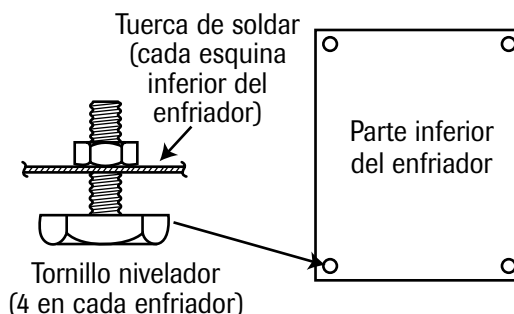
Lado



## Tornillos Niveladores

Instale los tornillos niveladores (se encuentran en el paquete de los documentos):

- Entre 2 personas, incline el enfriador de vinos hacia atrás hasta que haya una distancia aproximada de 31 cm (12") entre el piso y el enfriador de vinos.



- Instale un tornillo nivelador delantero en la marca de tornillo que se encuentra en cada esquina. Los tornillos niveladores deben ser atornillados hasta que queden apretados.
- Repita el procedimiento anterior para instalar los tornillos niveladores traseros.

### ⚠ ADVERTENCIA

- A fin de evitar lesiones, no se recomienda que una persona sola incline el enfriador de vinos hacia atrás. Pida ayuda a otra persona para evitar de que el enfriador de vinos se caiga durante la instalación de los tornillos niveladores.

### ⚠ ATENCION

- El enfriador de vinos debe permanecer en posición vertical por lo menos 30 minutos antes de ser enchufado.

## Nivelación del enfriador de vinos

Usando un nivel de carpintero, verifique para asegurarse de que el enfriador de vinos está nivelado de lado a lado y de frente hacia atrás. Los ajustes de nivelación se pueden hacer girando los tornillos niveladores a la izquierda para aumentar la altura y a la derecha para disminuir la altura.

**NOTA:** El enfriador de vinos no debe quedar inestable. Use laminillas para agregar estabilidad cuando sea necesario.

# Inversión de la Puerta de Vidrio

## ⚠ ADVERTENCIA

- A fin de evitar un choque eléctrico que puede causar lesión personal grave o mortal, desconecte la energía eléctrica del enfriador de vinos antes de invertir la puerta.

La puerta del enfriador de vinos puede abrirse hacia la izquierda o hacia la derecha. Generalmente la puerta del enfriador de vinos viene instalada para ser abierta hacia la derecha. Para cambiar la apertura de la puerta hacia la izquierda siga las siguientes instrucciones.

## Materiales Necesarios

- Llave Allen de  $\frac{1}{8}$ "
- Destornillador Phillips con punta magnética
- Pinzas de punta larga
- Llave de tuercas de  $\frac{5}{16}$ "
- Destornillador pequeño de punta plana

*Modelo con marco blanco o negro:*

- Llave de casquillo de 15 mm de profundidad

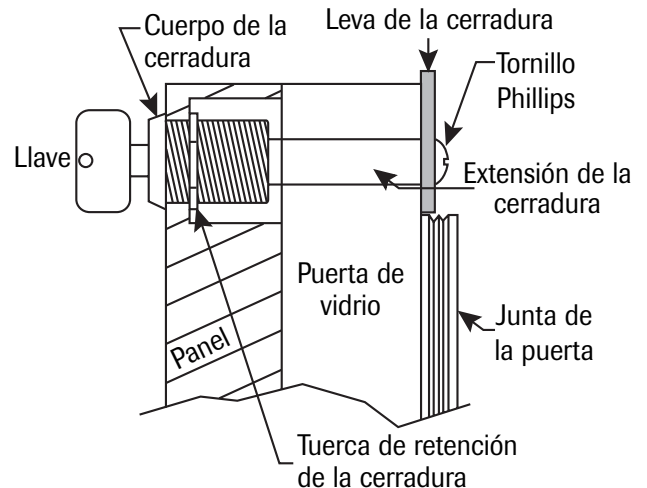
*Modelo con marco de madera decorativo o marco de acero inoxidable:*

- Llave de boca de 15 mm

1. Observe la ubicación de la perilla de control del termostato para volver a colocarla en el ajuste apropiado una vez que se haya completado la inversión de la puerta.
2. Gire la perilla del termostato a la izquierda hasta que el ajuste "OFF" (Apagado) quede en la posición de las 12:00. El sistema de refrigeración del enfriador de vinos se apagará.
3. Usando la llave Allen de  $\frac{1}{8}$ ", retire el tornillo de la bisagra superior. Tenga cuidado y sujete la puerta para que no se caiga. Levante la puerta hacia arriba suavemente y sáquela de la bisagra inferior.
4. Coloque la puerta de vidrio sobre una superficie suave, no abrasiva protegida por toallas o alfombras para evitar daño accidental.
5. Usando la llave de tuercas de  $\frac{5}{16}$ ", retire los tornillos de cabeza hexagonal de  $\frac{5}{16}$ " que sujetan la bisagra superior e inferior. Coloque los tornillos y las bisagras a un lado para uso posterior.
6. Usando el destornillador Phillips, retire el pasador de cabeza Phillips de la bisagra inferior. Coloque a un lado la bisagra, el pasador de la bisagra y la arandela de plástico para uso posterior.

**Para el modelo con marco de madera, continúe con el paso 12.**

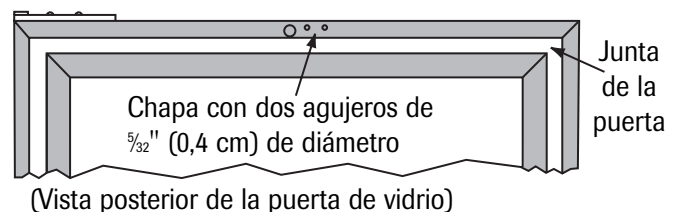
7. Retire la junta del marco trasero de la puerta, lo suficiente como para tener acceso a los agujeros de los tornillos y a la parte posterior de la cerradura de la puerta.



8. Usando el destornillador Phillips, retire el tornillo Phillips situado en el extremo de la cerradura de la puerta. Coloque a un lado la arandela de seguridad del tornillo Phillips, la leva de la cerradura y las piezas de la extensión de la cerradura/leva para uso posterior.
9. *Modelo con marco de acero inoxidable solamente:* Retire los diez tornillos que aseguran el marco de acero inoxidable en la puerta de vidrio. Deje los tornillos a un lado para uso posterior.
10. *Modelo con marco negro o blanco:* Use la llave de casquillo de 15 mm de profundidad.  
*Modelo con marco de acero inoxidable:* Use la llave de boca de 15 mm.
11. Afloje la tuerca de retención que asegura la cerradura al marco de la puerta. Si la tuerca se cae dentro del marco de la puerta, use las pinzas de punta larga para recuperarla y deje la tuerca a un lado para uso posterior.
12. Levante con cuidado el extremo de la puerta hacia arriba donde la cerradura está actualmente colocada y deje que la cerradura se desprenda y se salga de la puerta. Coloque la cerradura a un lado para uso posterior.

La ilustración siguiente muestra las ubicaciones de los agujeros de la chapa cuando cambia el giro de apertura de la puerta a la izquierda.

Retire la chapa del interruptor de la luz de la parte inferior de la puerta con giro de apertura a la derecha e instale la chapa en los agujeros, como se muestra.



# Instalación, cont.

13. Instale la chapa de la luz en el extremo opuesto de la puerta, alineando los dos agujeros de la chapa, con los dos agujeros en el centro opuesto de la puerta. Retire los tapones de los dos agujeros (modelos selectos) y vuelva a asegurar la chapa con los dos tornillos.

**Para los modelos con marco de madera decorativo, continúe con el paso 21.**

14. Levante la puerta o el extremo del marco de acero inoxidable hacia arriba, opuesto al extremo en que previamente estaba instalada la cerradura de la puerta e inserte la cerradura por la parte delantera. Sujete la cerradura en su lugar y baje con cuidado la puerta o el marco de acero inoxidable nuevamente hacia abajo.

*Modelo con marco negro o blanco:* Use la llave de casquillo de 15 mm de profundidad.

*Marco de acero inoxidable:* Llave de boca de 15 mm.

Vuelva a instalar la tuerca de retención en la cerradura de la puerta. Siga con el paso 15 antes de apretar la tuerca de la cerradura.

15. Vuelva a instalar el tornillo Phillips, la arandela de seguridad y la leva en la cerradura en el mismo orden en que fueron retiradas. Coloque la leva de la cerradura de modo que se proyecte hacia arriba desde la parte superior de la puerta. Asegúrese de que en la parte delantera el ojo de la cerradura quede alineado verticalmente, de arriba hacia abajo. Apriete levemente el tornillo Phillips para asegurar el conjunto de la cerradura. Ahora apriete la tuerca de retención de la cerradura.

*Modelo con marco de acero inoxidable:* En este momento apriete la tuerca de retención.

*Modelo con marco negro o blanco:* Marque el alineamiento de la cerradura de la puerta y luego retire el tornillo Phillips y la leva de la cerradura. Después apriete la tuerca de retención y luego reinstale la leva y el tornillo Phillips.

**Los pasos 16 - 19 son necesarios solamente para el modelo con marco de acero inoxidable. Si está invirtiendo la puerta en un modelo con marco negro o blanco, continúe con el paso 20.**

16. Usando el destornillador Phillips, retire el tornillo Phillips de la cerradura de la puerta que se encuentra en el extremo de la extensión de la cerradura y retire la leva de la cerradura. Coloque la leva a un lado para su montaje posterior. Asegure nuevamente la extensión de la cerradura con el tornillo Phillips.
17. Coloque el marco de acero inoxidable sobre una superficie suave. Alinee la puerta de vidrio directamente sobre el marco de acero inoxidable de modo que la extensión de la cerradura pase a través del agujero de la puerta de vidrio

que se encuentra en el extremo opuesto al que tenía originalmente la cerradura. Ubique los agujeros de montaje en la puerta de vidrio y alinee estos agujeros con las tuercas soldadas roscadas del marco. Use los diez tornillos que se retiraron en el Paso 9 para asegurar el marco de acero inoxidable en la puerta de vidrio.

18. Retire el tornillo Phillips de la cerradura de la puerta y vuelva a instalar la leva en la extensión de la cerradura, asegurándola nuevamente con el tornillo.
19. Verifique si la cerradura gira con facilidad un cuarto de vuelta, de la posición vertical a la horizontal.
20. Vuelva a instalar la junta de la puerta oprimiéndola para que entre en la ranura de la puerta. Asegúrese de que la junta quede bien instalada y selle herméticamente. Si es necesario, use un destornillador pequeño de punta plana para ayudar a insertar la sección en punta de flecha de la junta en la ranura de la puerta.
21. Ubique las dos bisagras que fueron retiradas del lado derecho del enfriador de vinos. Inserte el tornillo del pasador de la bisagra, en la bisagra que estaba en la parte superior y apriete firmemente. Esta bisagra será la bisagra inferior en el lado izquierdo del gabinete.
22. Retire los seis tapones plásticos de los agujeros de montaje de la bisagra del lado izquierdo.
23. Usando la llave de tuercas de  $\frac{5}{16}$ " , instale las bisagras en el lado izquierdo del enfriador de vinos usando los seis tornillos hexagonales de  $\frac{5}{16}$ " que se dejaron aparte. Apriete firmemente los tornillos.
24. Instale el marco de madera decorativo (modelos selectos, consulte la página 42).
25. Levante con cuidado la puerta y colóquela en el conjunto de la bisagra inferior/pasador de bisagra. Asegúrese de que la arandela de plástico esté instalada en la bisagra inferior antes de colocar en ella la puerta del enfriador.
26. Usando una llave Allen de 1/8" , asegure la puerta en la bisagra superior con el tornillo Allen del pasador de la bisagra.
27. Asegúrese de que la puerta se abra libremente, que la junta de la puerta quede herméticamente sellada y que las luces interiores se enciendan y se apaguen cuando la puerta se abre y se cierra.
28. Verifique si la cerradura de la puerta gira un cuarto de vuelta desde la posición vertical a la horizontal y que al hacer esto la puerta quede cerrada con llave.
29. Vuelva a instalar todos los tapones de los agujeros.
30. Vuelva a enchufar el enfriador de vinos. Coloque la perilla de control en el mismo ajuste en que estaba anteriormente.

# Preparación del Marco de Madera Decorativo de la Puerta

## Manija Decorativa

1. Se debe instalar una manija decorativa en la puerta (no se suministra).
2. Taladre agujeros pilotos a través del marco decorativo que coincidan con la manija. Avellane los agujeros en la parte trasera del panel.
3. Instale la manija decorativa en el conjunto del marco delantero de la puerta.

**NOTA:** Los tornillos de la manija decorativa deben instalarse a través del marco hacia la manija. Las cabezas de los tornillos deben avellanarse de modo que la superficie interior del marco pueda ser instalada al ras con la puerta del enfriador de vinos.

## Dimensiones del Marco de Madera de la Puerta

Ancho general: ..... $23\frac{7}{16}$ " (59,5 cm)  
 Placa inferior de  $3\frac{1}{2}$ " (8,9 cm) de altura:..... $30\frac{5}{16}$ " (77 cm)  
 Placa inferior de 4" (10,2 cm) de altura: ..... $29\frac{13}{16}$ " (75,7 cm)  
 Ancho mínimo del marco de la puerta para cubrir la extrusión de la puerta ..... $1\frac{23}{32}$ " (4,4 cm)  
 Grosor: ..... $\frac{5}{8}$ " a  $\frac{3}{4}$ " (1,6 to 1,9 cm) máximo

## Tornillos para Madera

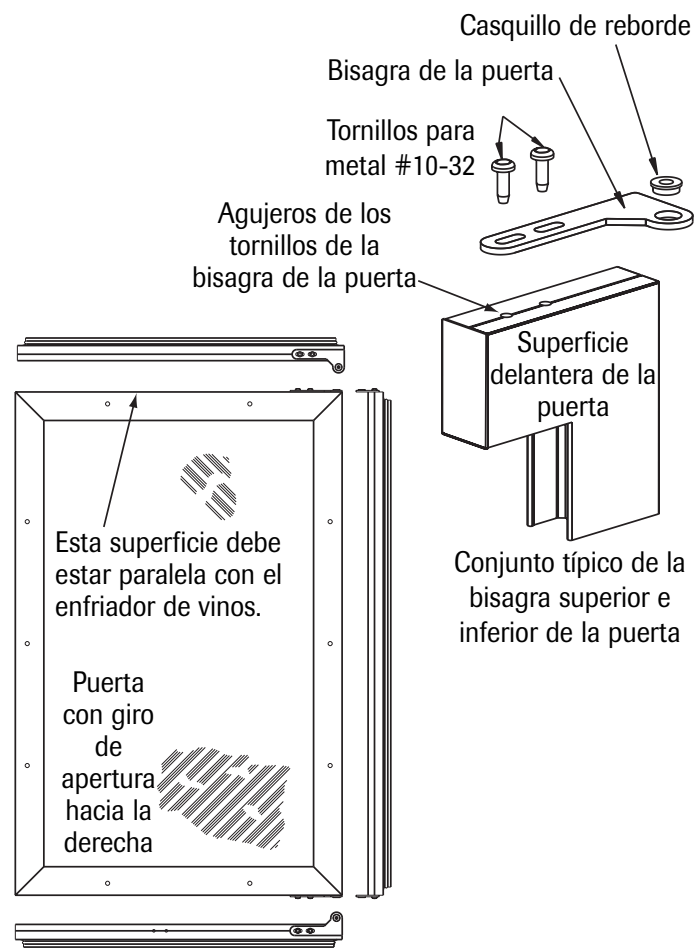
1. Se recomiendan tornillos para madera de cabeza cónica aplanada #8 para asegurar de manera apropiada el marco decorativo de madera en la puerta del enfriador de vinos.
2. Se necesita un total de diez tornillos para una placa inferior de  $3\frac{1}{2}$ " (8,9 cm) u ocho tornillos para una placa inferior de 4" (10,2 cm).
3. Use solamente tornillos para madera de cabeza cónica aplanada.
4. Asegúrese de que los tornillos **NO** sean más largos que el grosor de la madera en los lugares en que sean instalados.
5. Use los siguientes tamaños de taladros para los agujeros pilotos en el material del marco.

Tipo de Madera	Tamaño del Taladro para los Agujeros Pilotos de los Tornillos para Madera de Cabeza Cónica #8
Madera Dura	$\frac{3}{32}$ " (0,24 cm)
Madera Blanda	$\frac{5}{64}$ " (0,20 cm)

# Instalación de los Soportes de las Bisagras de la Puerta

**NOTA:** Omita este paso si las bisagras ya están instaladas.

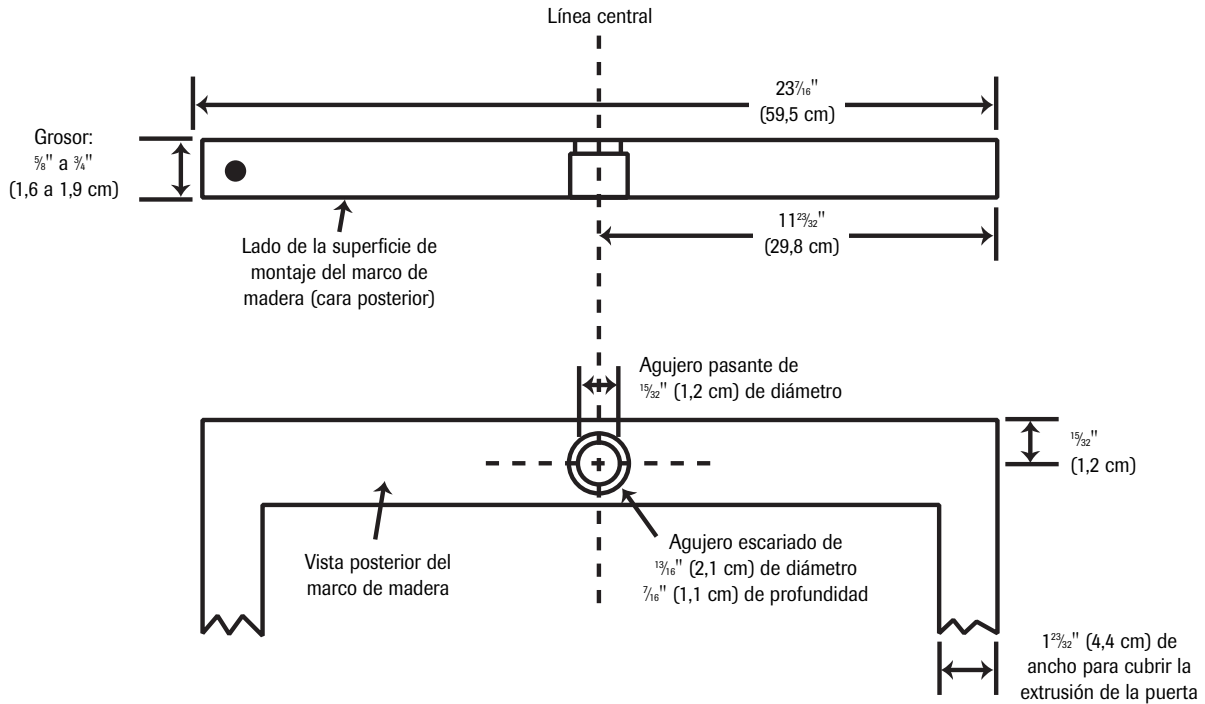
1. Instale la bisagra superior e inferior en la puerta con los tornillos para metales # 10-32 y una llave Allen de  $\frac{1}{8}$ " como se muestra en la figura siguiente.
2. Inserte los casquillos de reborde en la bisagra superior e inferior. Asegúrese de que el casquillo quede hacia el lado exterior de la puerta como se muestra en la figura siguiente.
3. Pruebe la puerta en el enfriador de vinos para asegurarse de que colgará en forma correcta. La puerta está correctamente instalada cuando la parte superior queda paralela con la parte superior del enfriador de vinos. Se pueden hacer ajustes aflojando los tornillos para metales de la bisagra y moviendo la bisagra en la puerta.
4. Apriete los cuatro tornillos para metales después de que se hayan hecho los ajustes.
5. Retire la puerta del enfriador de vinos quitando el tornillo de fijación de la bisagra superior e inclinando la puerta para sacarla del pasador de la bisagra inferior.





# Instalación, cont.

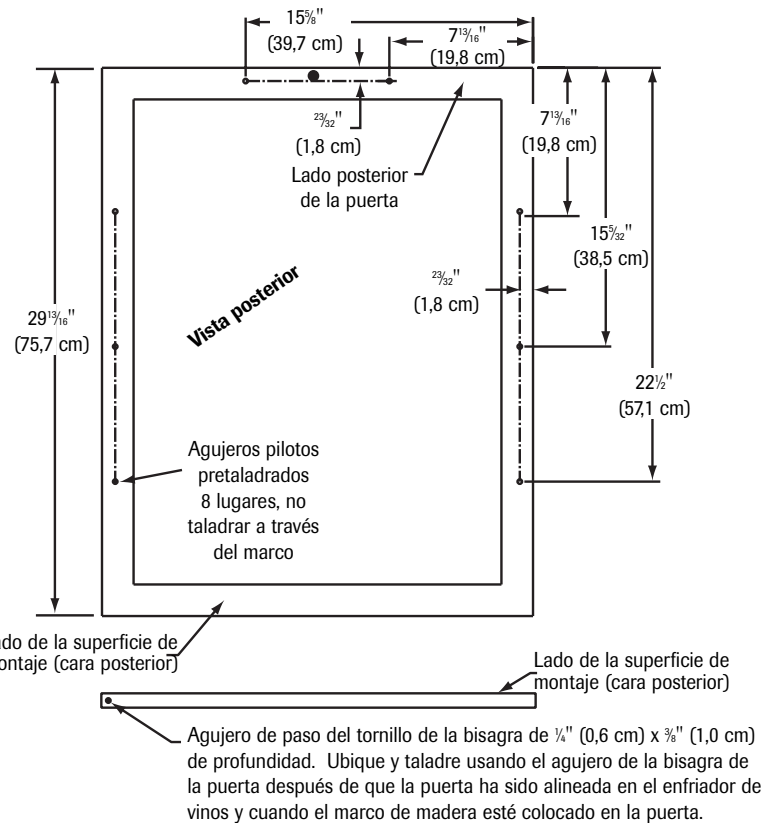
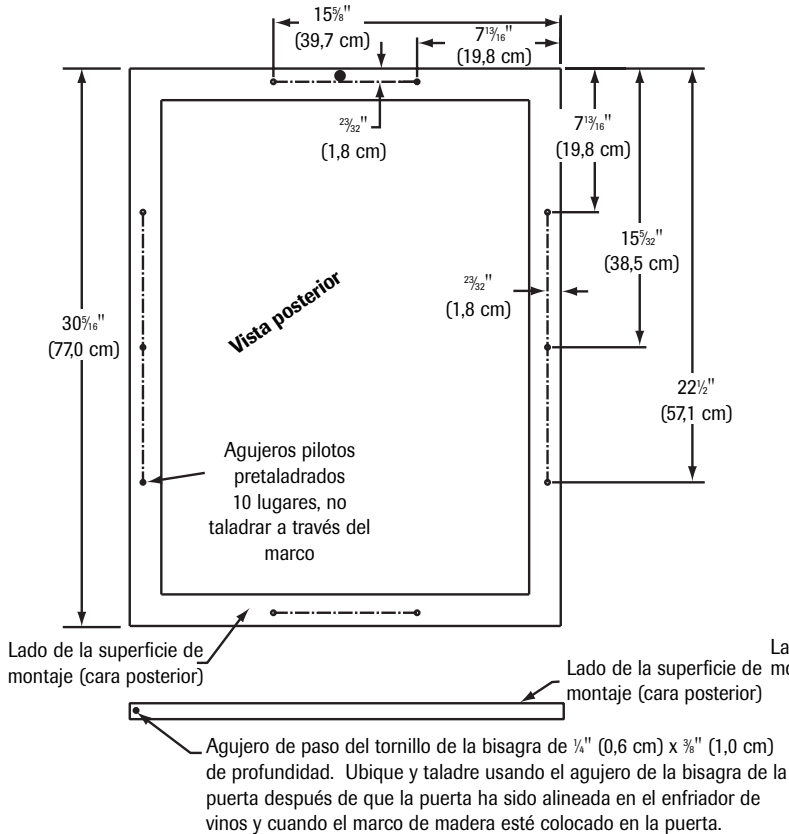
## Detalle del Agujero de la Cerradura



## Preparación del Marco de Madera

**Para una placa inferior de  $3\frac{1}{2}$ " (8,9 cm)**  
(cubre toda la extrusión de la puerta)

**Marco Opcional para una placa inferior de 4" (10,2 cm)**  
(que coincida con la altura de la placa inferior existente de los armarios)



## Instalación del Marco de Madera en la Puerta del Enfriador de Vinos

### ⚠ ADVERTENCIA

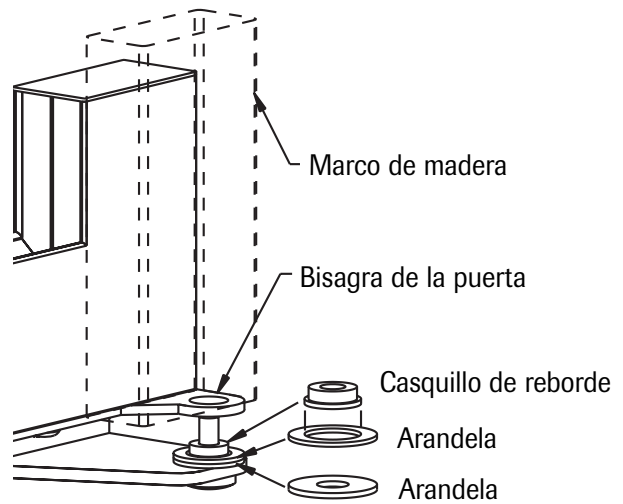
- A fin de evitar un choque eléctrico que puede causar daño personal grave o mortal, desenchufe el enfriador de vinos antes de instalar el marco de la puerta.

### ⚠ ATENCION

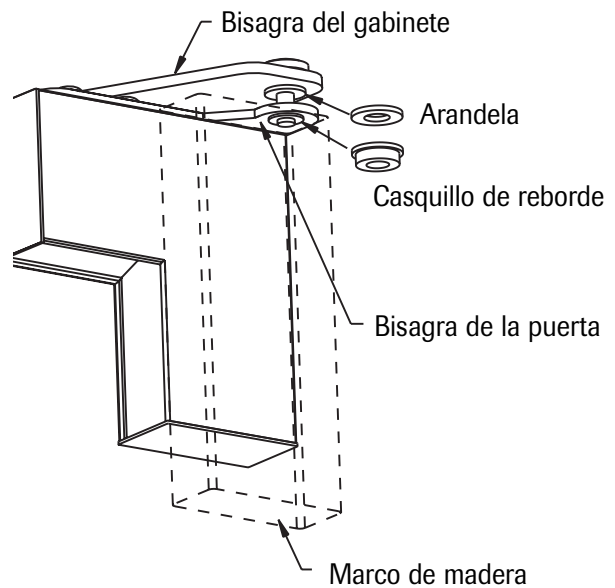
- La puerta se puede desprender si no se instalan las arandelas.
- La puerta no girará apropiadamente si todos los componentes de nilón no son instalados como se muestra.

1. Si la puerta está instalada en el enfriador de vinos, retírela quitando el tornillo de fijación de cabeza Allen de la bisagra de la puerta. Retire la puerta inclinándola para sacarla del pasador de la bisagra inferior.

### Esquina de la Bisagra Inferior



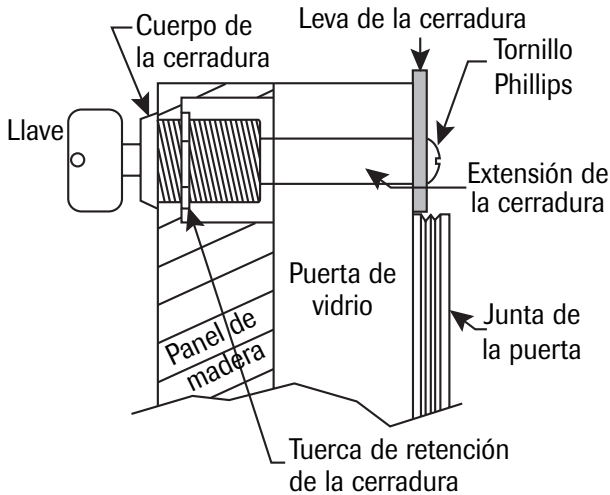
### Esquina de la Bisagra Superior





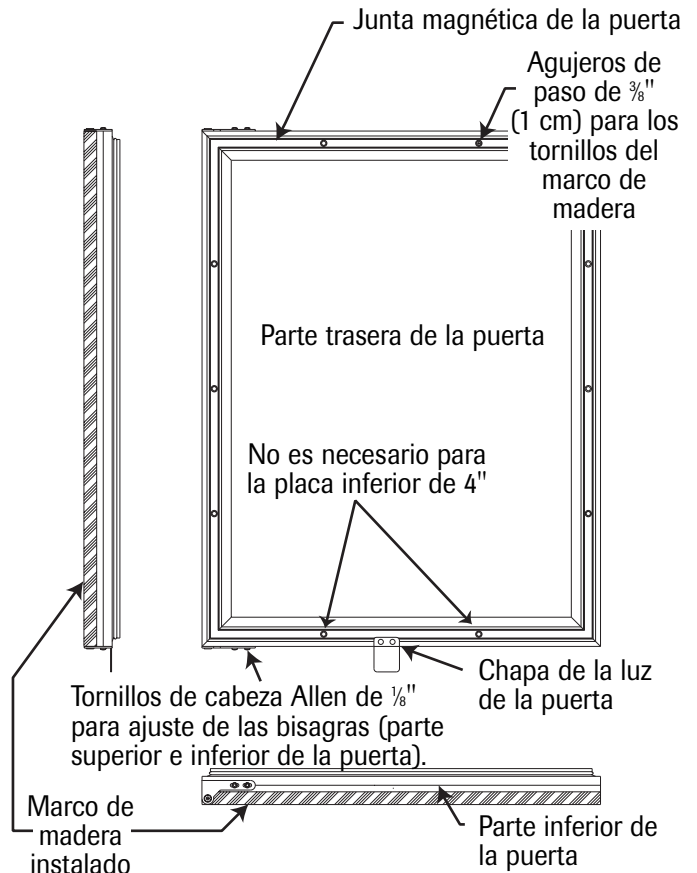
# Instalación, cont.

2. Instale el cuerpo de la cerradura (provisto) en el marco de madera. Con su enfriador de vinos se incluye el conjunto de la cerradura y de la llave. Asegure el cuerpo de la cerradura usando la tuerca de retención de 15 mm provista y atorníllela en la sección roscada del cuerpo de la cerradura. Asegúrese de que el ojo de la cerradura quede vertical, luego apriete la tuerca de 15 mm con una llave de casquillo de 15 mm de profundidad.



3. Despegue la junta de la puerta de vidrio para tener acceso a los agujeros de los tornillos que se usan para instalar el marco de madera y al agujero para la extensión de la cerradura en la parte superior de la puerta.
4. Coloque el marco decorativo de madera sobre una superficie no abrasiva, protegida con toallas o alfombras para evitar que el acabado de la puerta sufra daño accidental.
5. Coloque el marco de madera al ras contra la parte delantera de la puerta en el lugar deseado. Sujete con mordazas el marco de madera en la puerta si es necesario. Verifique para ver si la parte posterior de la cerradura en el marco de madera queda alineada con el agujero de la puerta.
6. Inserte los tornillos para madera a través de la parte posterior de la puerta en los agujeros piloto del marco de madera y apriételos.
7. Ubique el tornillo Phillips de la cerradura de la puerta, la extensión de la cerradura, la leva de la cerradura e instálelos en la parte posterior del cuerpo de la cerradura. Coloque la leva de la cerradura de modo que se proyecte hacia arriba desde la parte superior de la puerta. Apriete el tornillo Phillips para asegurar el conjunto de la cerradura.

8. Vuelva a instalar la junta de la puerta presionándola para que entre en la ranura de la puerta. Asegúrese de que las esquinas queden bien insertadas. Inserte la llave en la cerradura y asegúrese de que la cerradura funciona en forma apropiada.
9. Instale la puerta en el enfriador de vinos. Use las arandelas (si se suministran) como se muestra en la página 44.
10. Puede que sea necesario realinear la puerta. Los ajustes finales de la puerta pueden hacerse usando una llave Allen de  $\frac{1}{8}$ " para ajustar las bisagras de la puerta (ver la figura siguiente).
11. Instale la puerta en el enfriador de vinos invirtiendo las instrucciones del Paso 1 anterior.
12. Asegúrese de que la puerta de vidrio gira libremente, que la junta de la puerta sella herméticamente y que la luz interior se enciende y se apaga cuando la puerta se abre y se cierra.
13. Confirme que la cerradura de la puerta gira un cuarto de vuelta desde la posición vertical a la horizontal y que al hacer esto la puerta quede cerrada con llave.
14. Vuelva a enchufar el enfriador de vinos. Coloque nuevamente la perilla de control en el ajuste en que estaba anteriormente.



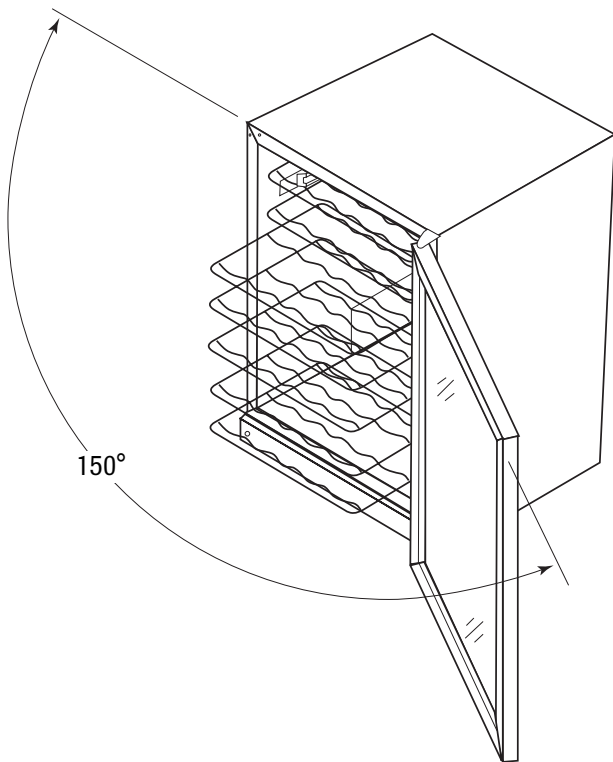
## Parrillas para el Vino

El enfriador de vinos tiene parrillas deslizables en el nivel intermedio e inferior. Las dos parrillas superiores son fijas.

Para deslizar las parrillas hacia afuera, la puerta debe estar abierta por lo menos 150° desde la posición cerrada.

Verifique antes de terminar la instalación del enfriador de vinos si en el lugar definitivo la puerta podrá abrirse lo suficiente de modo que las parrillas puedan ser deslizadas hacia afuera si se desea. Como una posible solución, al invertir el giro de apertura se puede lograr que la puerta se abra lo suficiente como para deslizar las parrillas hacia afuera.

Usted también puede solucionar la situación del giro de la puerta manteniendo la puerta del enfriador un poco más afuera que la parte delantera de los armarios.



### **⚠ ATENCION**

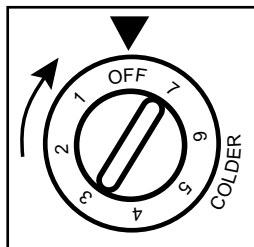
- No intente retirar una parrilla que tenga botellas de vino sobre ella. Siempre retire las botellas de la parrilla antes de sacarla del enfriador.

# Funcionamiento

## 1. Ajuste de la Perilla de Control:

Los ajustes disponibles del uno al siete ofrecen una gama de temperaturas en el enfriador de vinos desde los cuarenta a los sesenta grados.

Use una moneda para girar inicialmente el control a la derecha hacia el ajuste medio del termostato (4). Espere por lo menos 48 horas para que el enfriador de vinos se establezca antes de cambiar el ajuste inicial.



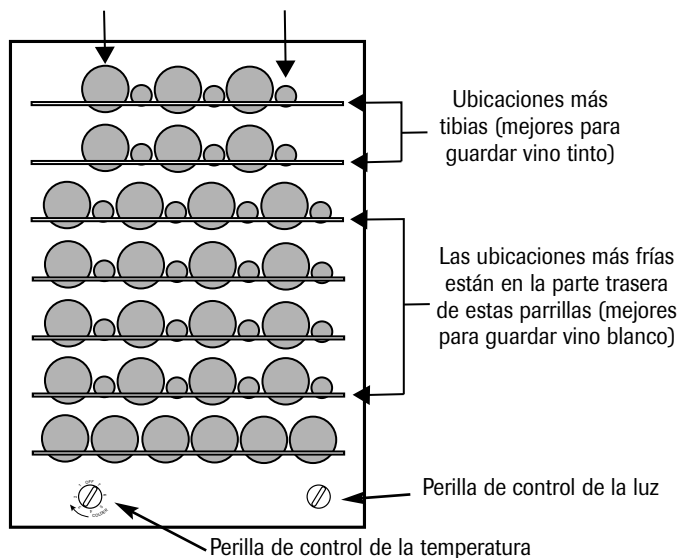
El ajuste central (4) en el control ofrece aproximadamente 13° C (55° F) que es la temperatura apropiada para conservar a largo plazo de todo tipo de vino.

El ajuste más frío (7) ofrece una temperatura de almacenamiento de aproximadamente 7° C (45° F) que es la temperatura apropiada para servir vino blanco.

La temperatura puede ajustarse girando la perilla a la derecha para una temperatura más fría o a la izquierda para una temperatura más tibia.

**2. Instalación de las Botellas de Vino:** Las dos parrillas superiores sostienen seis botellas cada una, con los cuellos alternados de adelante hacia atrás (botellas traseras) y de atrás hacia adelante (botellas delanteras). Cada una de las cuatro parrillas intermedias sostiene ocho botellas con los cuellos alternados de adelante hacia atrás y de atrás hacia adelante. La parrilla inferior sostiene seis botellas colocadas con los cuellos dirigidos hacia la parte trasera. Las botellas altas no pueden ser colocadas en la parrilla inferior pues pueden evitar que la puerta se cierre.

Botellas delanteras (con los cuellos dirigidos hacia atrás)      Botellas traseras (con los cuellos dirigidos hacia adelante)



## Sugerencias y Consejos para la Colocación de las Botellas:

1. Al igual que la mayoría de los productos de refrigeración, existe una pequeña diferencia de temperatura en diferentes lugares dentro del enfriador de vinos. Las áreas más frías estarán en la parte trasera de las cuatro parrillas intermedias. Las ubicaciones delanteras en estas parrillas generalmente son unos pocos grados más tibias que las ubicaciones traseras. Las dos parrillas superiores ofrecen la ubicación más tibia en el enfriador de vinos. En este lugar la temperatura es de aproximadamente 1,5° a 4° C (3° a 7° F) más tibia.
2. Coloque los vinos blancos en las parrillas intermedias o inferiores y los vinos tintos en las parrillas superiores.
3. Apague la luz cuando no la necesite, pues las botellas que están directamente debajo de la luz pueden estar expuestas a una temperatura levemente más alta cuando la luz está encendida.
4. Coloque los vinos que están siendo guardados para envejecimiento o para conservación a largo plazo en la parte trasera de las parrillas.
5. Coloque los vinos de uso más frecuente en la parte delantera de las parrillas, donde las etiquetas quedan más fáciles de ver.
6. Las botellas grandes de vino o las botellas dobles pueden ser guardadas en la posición superior derecha o izquierda del enfriador de vinos o en cualquiera de las parrillas intermedias, retirando la parrilla que está directamente sobre ellas.

# Características

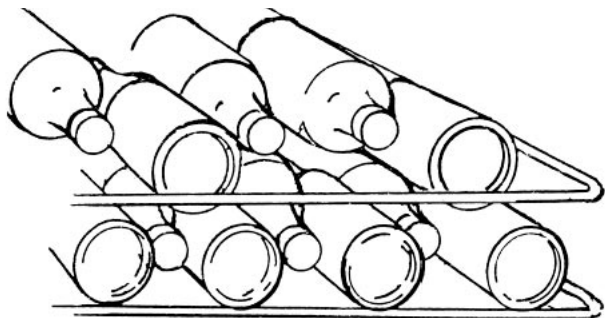
- **Control de Temperatura Ajustable:** El control de la temperatura es ajustable desde los cuarenta a los sesenta grados. La gama de temperatura ofrece flexibilidad para diferentes preferencias de temperaturas de almacenamiento y permite acomodar una variedad de vinos tintos, blancos y espumantes.
- **Luz Interior:** La perilla de control de la luz está ubicada en la parte delantera inferior del enfriador de vinos, en el área de la placa inferior.

La luz se enciende automáticamente en toda su intensidad cada vez que la puerta se abre, ofreciendo visibilidad de las etiquetas de los vinos.

Para ver su colección de vinos, cuando la puerta está cerrada, gire la perilla del control de la luz (ver página 47).

**NOTA:** Cuando la perilla está girada completamente a la izquierda, la luz se apaga cuando la puerta está cerrada. Si está girada completamente a la derecha, la luz permanece encendida continuamente. La perilla puede colocarse en cualquier lugar entre estas dos posiciones para lograr el nivel de intensidad de luz deseado. La característica de atenuación de la intensidad solamente afecta la luz cuando la puerta está cerrada. La luz está siempre en toda su intensidad cuando la puerta está abierta.

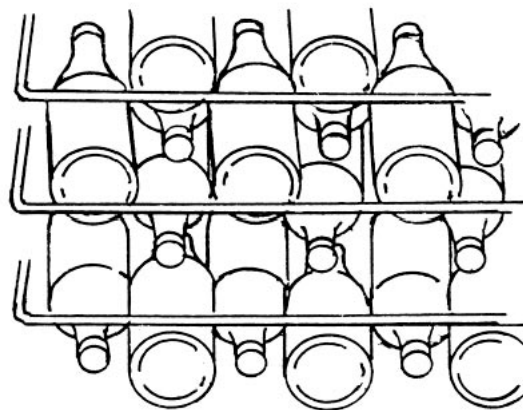
Recuerde apagar la luz cuando no la necesite.



- **Parrillas Deslizables:** Las cuatro parrillas intermedias pueden ser deslizadas hacia afuera aproximadamente 6" (15 cm) para facilitar la instalación o retiro de las botellas.

## ⚠ ATENCION

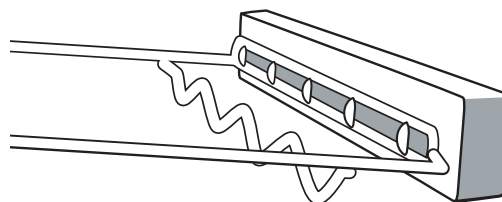
- No intente retirar una parrilla que tenga botellas de vino sobre ella. Siempre retire las botellas de la parrilla antes de sacarla del enfriador.



- **Parrillas para una sola fila de botellas:** Debido a que las botellas en esta parrilla no están una sobre otra, usted puede fácilmente ver y tener acceso a su inventario sin perturbar las otras botellas.
- **Cerradura:** Para asegurar su colección de vinos, el enfriador de vinos puede cerrarse con llave. Use la llave eyectable que se ha incluido para cerrar la puerta.  
**NOTA:** La cerradura ha sido diseñada de modo que la llave no puede permanecer insertada en ella.
- **Pieza frontal de madera de las parrillas:** Con su enfriador de vinos se han incluido cuatro piezas frontales no acabadas de madera sólida de arce. Estas pueden ser acabadas a fin de que armonicen con los armarios de su hogar. Siga las instrucciones de acabado provistas por el fabricante del tinte.

**NOTA:** En muchos casos los tintes y/o acabados tienen olores que pueden ser desagradables en un recinto cerrado.

**Para instalar:** Coloque una pieza frontal en cada una de las cuatro parrillas intermedias. Alinee los agujeros en la madera con la parte delantera de la parrilla y apriete con cuidado hacia abajo.



# Cuidado y Limpieza

## Limpieza

### ⚠ ADVERTENCIA

- A fin de evitar choque eléctrico que puede causar una lesión personal grave o mortal, desconecte la energía eléctrica al enfriador de vinos antes de la limpieza.

- **Condensador:** La tubería del condensador dentro del enfriador de vinos no requiere limpieza frecuente; sin embargo, es necesario mantener ventilación adecuada sobre los serpentines para obtener enfriamiento satisfactorio. Asegúrese de que nada obstruya las aberturas situadas en la parte delantera del enfriador de vinos requeridas para la circulación del aire. Por lo menos dos veces al año, limpie con una escobilla o aspire las pelusas y suciedad del condensador para un rendimiento eficiente, destornillando la rejilla situada en la parte delantera inferior del enfriador de vinos.

- **Enfriador de vinos:** El gabinete pintado puede lavarse con agua y un detergente suave y enjuagado bien con agua limpia. Nunca use polvos de limpieza abrasivos.
- **Puerta del marco de acero inoxidable:** Use un paño suave o una esponja y limpie a favor del grano del acero inoxidable. Use agua y un detergente suave para suciedad leve, 'Bon Ami'\* para suciedad moderada y 'Cameo Stainless Steel Cleaner'\* para descoloración. No use blanqueador con cloro o productos que contengan blanqueador con cloro en el acero inoxidable.

Después de la limpieza, enjuague y seque. Para restaurar el brillo y eliminar las vetas, use 'Stainless Steel Magic Spray'\* (Jenn-Air modelo A912, pieza número 20000008).

- **Interior:** Lave el compartimiento interior con agua y detergente suave. No use polvos limpiadores abrasivos, solventes, pulidores ni detergentes no diluidos.
- **Puerta de Vidrio:** Use un limpiavidrios o detergente suave y un paño suave para limpiar la puerta de vidrio. No use polvos abrasivos.
- **Junta de la puerta:** La junta de vinilo puede limpiarse con agua y un detergente suave o con una solución de 2 cucharadas de bicarbonato y 1 litro (1 cuarto de galón) de agua tibia.

## Reemplazo del Foco

### ⚠ ADVERTENCIA

- A fin de evitar choque eléctrico que puede causar una lesión personal grave o mortal, desconecte la energía eléctrica al enfriador de vinos antes de reemplazar el foco. Después de reemplazar el foco, conecte la energía eléctrica.

### ⚠ ATENCION

A fin de evitar una lesión personal o daños materiales, observe lo siguiente:

- Espere hasta que el foco se enfríe.
- Use guantes cuando reemplace el foco.

El enfriador de vinos usa un foco de 15 watts de base intermedia y está ubicado dentro de la cubierta de la luz. La cubierta de la luz está en el techo del enfriador de vinos y se mantiene en su lugar mediante tres tornillos. Retire los tres tornillos y la cubierta para extraer el foco. No use un foco de repuesto que sea de más de 15 watts.

## En caso de interrupción de la energía eléctrica

Si falla la energía eléctrica, abra la puerta lo menos posible a fin de mantener la temperatura. Un aumento gradual de la temperatura no afectará adversamente el vino.

Si la temperatura es demasiado alta es conveniente cambiar el vino al lugar más frío que encuentre hasta que se restablezca la energía eléctrica.

\* Los nombres de los productos de limpieza son marcas registradas de sus respectivos fabricantes.

# Antes de Solicitar Servicio

Antes de solicitar servicio consulte la tabla de solución de averías que se incluye a continuación. Esta tabla incluye problemas posibles que usted puede solucionar sin dificultad a fin de evitar una llamada de servicio innecesaria.

PROBLEMA	POSIBLE CAUSA/SOLUCIONES
Olor en el enfriador de vinos	<ul style="list-style-type: none"> <li>• El interior necesita ser limpiado.</li> </ul>
Funcionamiento ruidoso	<ul style="list-style-type: none"> <li>• El enfriador de vinos no está nivelado.</li> </ul>
	<ul style="list-style-type: none"> <li>• El piso es débil.</li> </ul>
El enfriador de vinos vibra	<ul style="list-style-type: none"> <li>• El enfriador de vinos no está nivelado.</li> </ul>
	<ul style="list-style-type: none"> <li>• El piso es débil.</li> </ul>
La luz del enfriador de vinos no funciona	<ul style="list-style-type: none"> <li>• Se fundió el foco.</li> </ul>
	<ul style="list-style-type: none"> <li>• El tomacorriente no tiene energía eléctrica.</li> </ul>
El electrodoméstico no funciona	<ul style="list-style-type: none"> <li>• El control de la temperatura está en 'OFF' (Apagado).</li> </ul>
	<ul style="list-style-type: none"> <li>• El cordón eléctrico no está enchufado.</li> </ul>
	<ul style="list-style-type: none"> <li>• No hay energía eléctrica en el tomacorriente.</li> </ul>
	<ul style="list-style-type: none"> <li>• Fusible del hogar fundido o disyuntor abierto.</li> </ul>
El electrodoméstico funciona mucho tiempo	<ul style="list-style-type: none"> <li>• La puerta se deja abierta durante mucho tiempo.</li> </ul>
	<ul style="list-style-type: none"> <li>• El control está en un ajuste muy frío.</li> </ul>
	<ul style="list-style-type: none"> <li>• El condensador necesita limpieza.</li> </ul>
Se forma humedad en el interior	<ul style="list-style-type: none"> <li>• La puerta se abre con demasiada frecuencia.</li> </ul>
	<ul style="list-style-type: none"> <li>• El tiempo caluroso y húmedo aumenta la condensación.</li> </ul>
Se forma humedad en la superficie exterior	<ul style="list-style-type: none"> <li>• El tiempo caluroso y húmedo aumenta la condensación. A medida que el tiempo húmedo disminuya, la humedad desaparecerá.</li> </ul>
	<ul style="list-style-type: none"> <li>• El control está en un ajuste erróneo.</li> </ul>
Interior demasiado caliente/ demasiado frío	<ul style="list-style-type: none"> <li>• El control está en un ajuste erróneo.</li> </ul>
	<ul style="list-style-type: none"> <li>• La temperatura está siendo verificada con termómetro fallado.</li> </ul>
	<ul style="list-style-type: none"> <li>• Mueva el termómetro al centro del enfriador de vinos y vuelva a verificar.</li> </ul>

Si usted necesita servicio, póngase en contacto con su distribuidor o con el fabricante. En toda la correspondencia, indique el número de modelo y número de serie de su enfriador de vinos que se encuentra en el interior del enfriador, en el costado izquierdo superior. Conserve su comprobante de compra. Anote estos números en el espacio provisto en la página 36.



# Garantía

## Garantía Completa de Un Año

Durante **un (1) año** desde la fecha original de compra al por menor, se reparará o reemplazará gratuitamente cualquier pieza que falle durante el uso normal en el hogar.

## Garantías Limitadas – Componentes Principales de Refrigeración

**Desde el Segundo hasta el Quinto año** – Desde el segundo año a partir de la fecha original de compra al por menor, hasta el final del quinto año, el fabricante reparará o reemplazará, a su elección, sin costo alguno por piezas o mano de obra (solamente), cualquier pieza del sistema de refrigeración sellado (compuesto por el compresor, evaporador, condensador, secador y tubería de conexión), que falle durante el uso normal en el hogar. El propietario deberá pagar todos los otros costos, incluyendo el kilometraje, transporte, costo del viaje y costo del diagnóstico, si fuese necesario.

## Garantías Limitadas – Otras Piezas

**Segundo Año** – Las piezas, a excepción de los componentes principales de refrigeración, que fallen durante el uso doméstico normal durante el segundo año después de la fecha original de compra al por menor serán reparadas o reemplazadas gratuitamente, asumiendo el propietario los demás costos, incluyendo mano de obra, kilometraje, transporte, costo del viaje y costo del diagnóstico, si fuese necesario.

**NOTA:** La garantía completa y las garantías limitadas son aplicables cuando el producto de refrigeración se encuentra en los Estados Unidos o Canadá. Los productos de refrigeración que se encuentren en cualquier otro lugar están cubiertos por garantías limitadas que incluyen solamente las piezas que fallen durante el primer año.

## LIMITACIONES DE LA RESPONSABILIDAD

El garante no será responsable por ningún daño incidental o consecuente, incluyendo pérdida de alimentos. En algunos estados no se permite la exclusión o limitación de daños consecuentes, por lo tanto la limitación o exclusión anterior puede no aplicarse en su caso.

*Las garantías específicas expresadas anteriormente son las **UNICAS** garantías ofrecidas por el fabricante. Estas garantías le confieren derechos legales específicos, pudiendo también tener otros derechos que varían de un estado a otro.*

## Para recibir servicio bajo la garantía

Para localizar una compañía de servicio autorizada en su área, póngase en contacto con el distribuidor Jenn-Air a quien compró el artefacto o llame a Maytag Services<sup>SM</sup>, Customer Assistance (Ayuda a los Clientes) a los números de teléfonos que se incluyen a continuación. Si el servicio bajo la garantía no es satisfactorio, por favor llame o escriba a:

Maytag Services<sup>SM</sup>  
Attn: Jenn-Air CAIR<sup>®</sup> Center  
P.O. Box 2370  
Cleveland, TN 37320-2370

**EE.UU. y Canadá** ..... **1-800-JENNAIR**  
**(1-800-536-6247)**

**En EE.UU. las personas con problemas auditivos o del habla que usan TTY, deben llamar al** ..... **1-800-688-2080**

**NOTA:** Cuando llame o escriba acerca de un problema de servicio, por favor incluya la siguiente información:

- Su nombre, dirección y número de teléfono;
- Número de modelo y número de serie y número de revisión;
- Nombre y dirección de su distribuidor y la fecha en se compró el electrodoméstico;
- Una descripción clara del problema que está experimentando;
- Comprobante de compra (recibo de compra).

## Lo que no cubren estas garantías:

1. Situaciones y daños resultantes de cualquiera de las siguientes eventualidades:
  - a. Instalación, entrega o mantenimiento inapropiados.
  - b. Cualquier reparación, modificación, alteración o ajuste no autorizado por el fabricante o por un centro de servicio autorizado.
  - c. Mal uso, abuso, accidentes o uso irrazonable.
  - d. Corriente eléctrica, voltaje o suministro incorrecto.
  - e. Ajuste incorrecto de cualquiera de los controles.
2. Las garantías quedan nulas si los números de serie originales han sido retirados, alterados o no son fácilmente legibles.
3. Focos.
4. Productos comprados para uso comercial o industrial.
5. El costo del servicio o llamada de servicio para:
  - a. Corregir errores de instalación.
  - b. Instruir al usuario sobre el uso correcto del artefacto.
  - c. Transporte del artefacto al establecimiento de servicio.
6. Los daños consecuentes o incidentales sufridos por cualquier persona como resultado del incumplimiento de esta garantía.

En algunos estados no se permite la exclusión o limitación de daños consecuentes o incidentales, por lo tanto la limitación o exclusión anterior puede no aplicarse en su caso.

Las guías del propietario, manuales de servicio e información sobre las piezas pueden solicitarse  
Maytag Services<sup>SM</sup>, Jenn-Air Customer Assistance (Ayuda a los Clientes).  
Jenn-Air • 403 West Fourth Street North • P.O. Box 39 • Newton, Iowa 50208